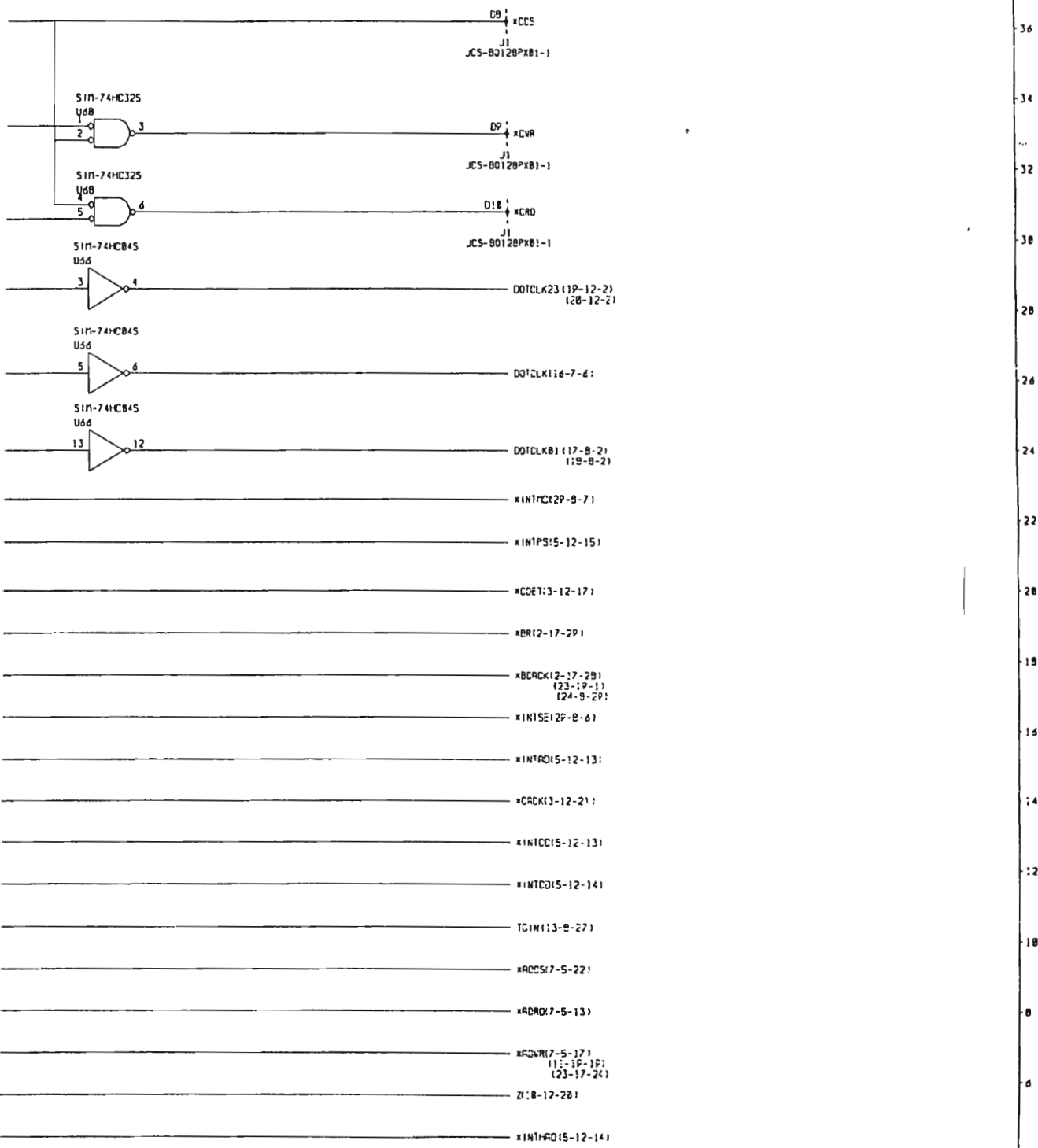
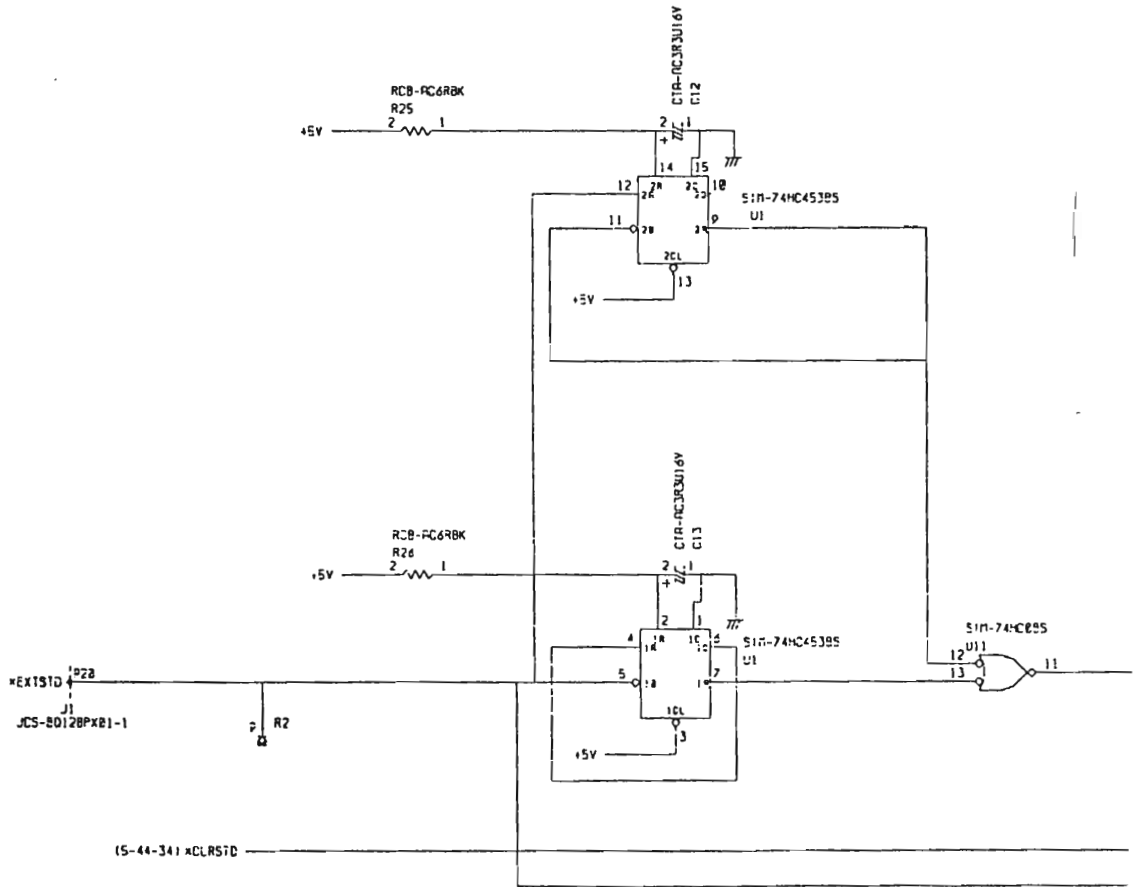
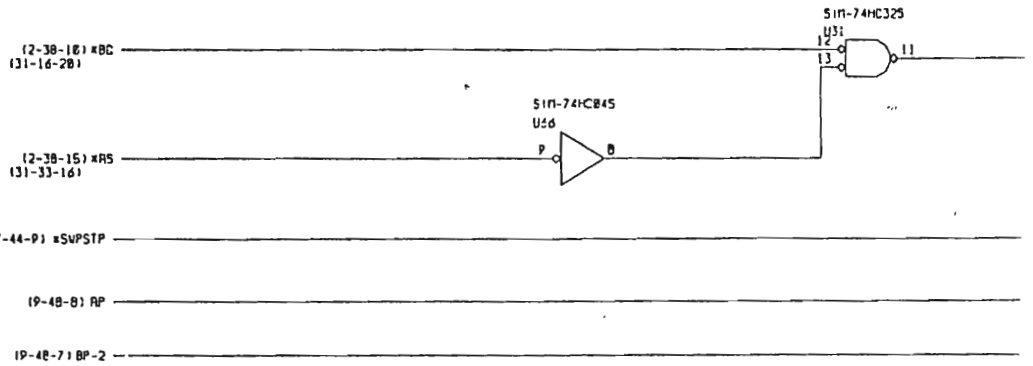


26 28 30 32 34 36 38 40 42 44 46 48 50 52 54



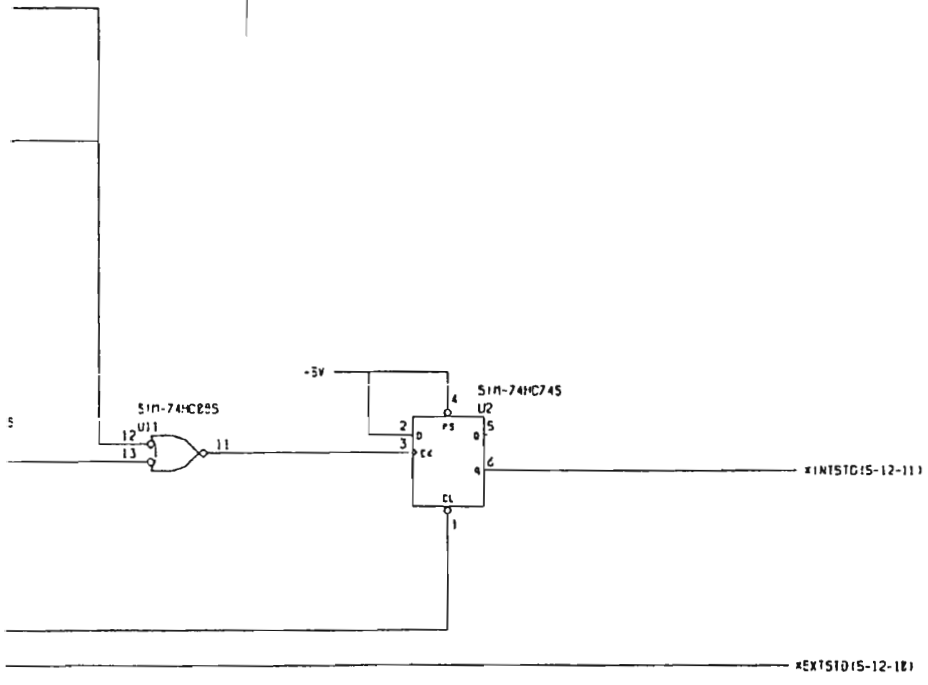
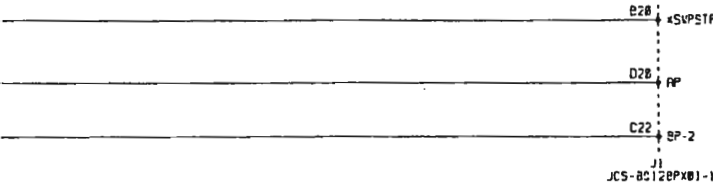
R3261/3361 CPU (CONNECTOR)
BLQ-015669 26/33

26 28 30 32 34 36 38 40 42 44 46 48 50 52 54



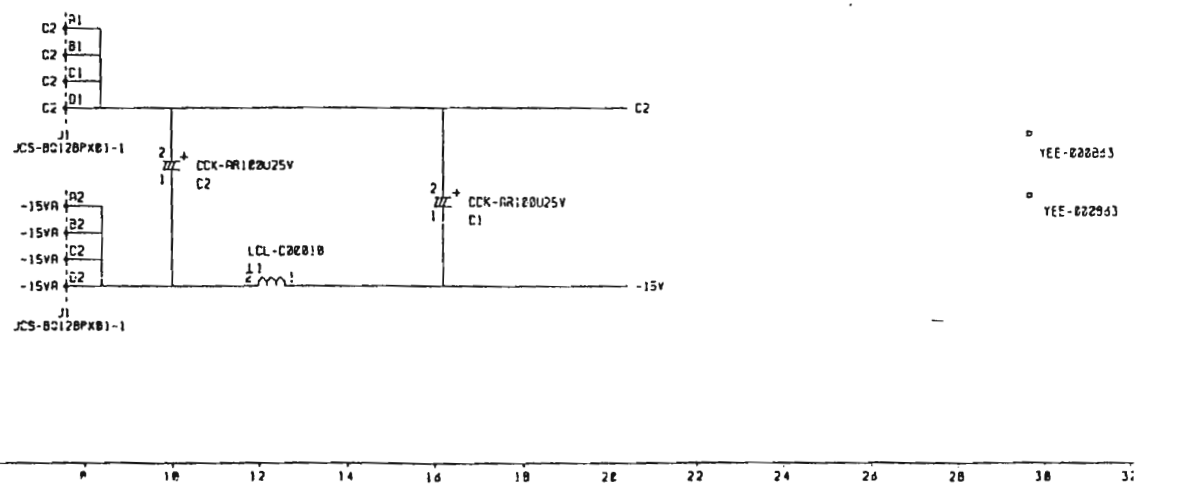
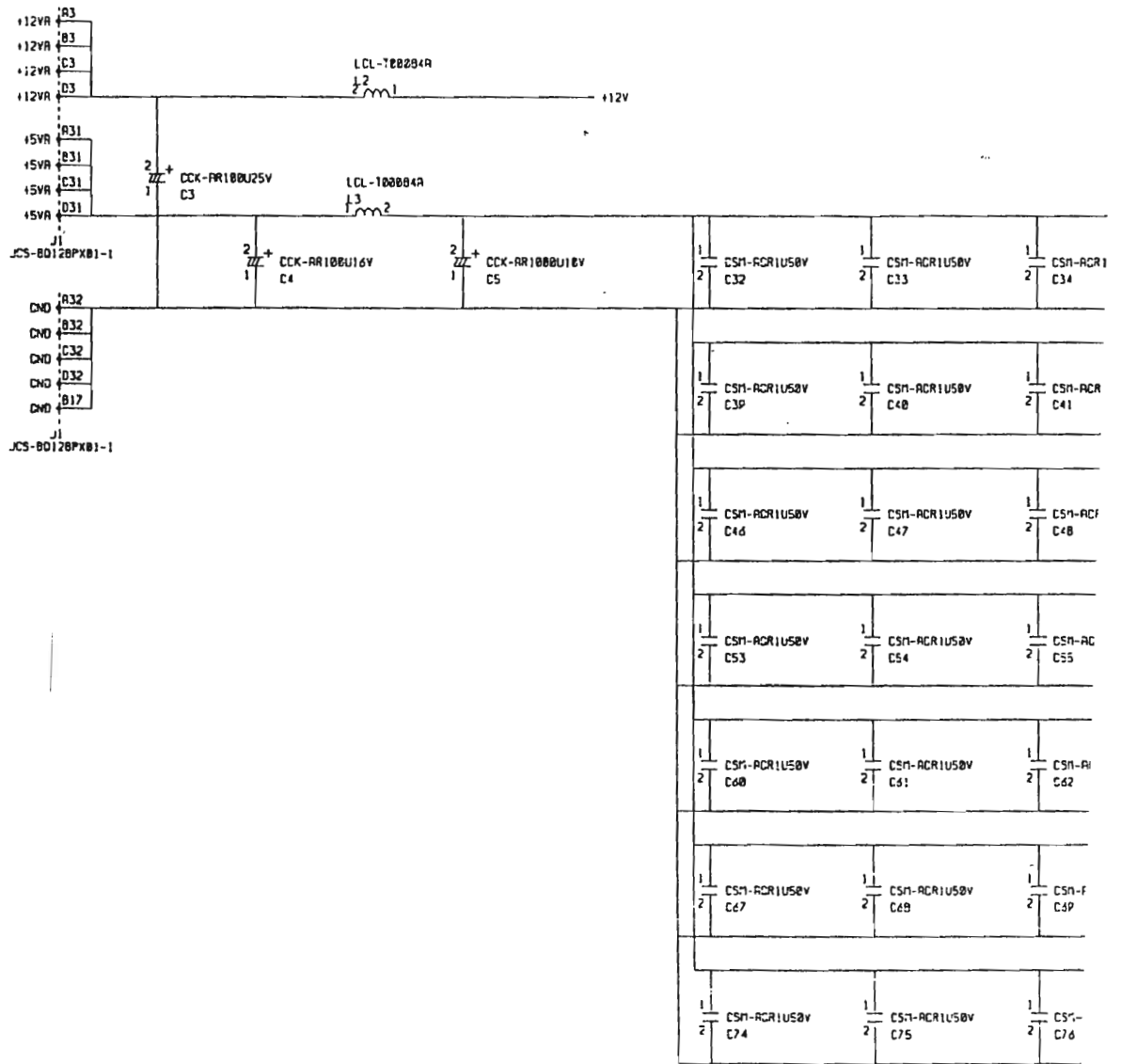
26 28 30 32 34 36 38 40 42 44 46 48 50 52 54 56 58 60 62 64

38
36
34
32
30
28
26
24
22
20
18
16
14
12
10
8
6
4
2
0



R3261/3361 CPU (CONNECTOR)
BLQ-015669 27/33

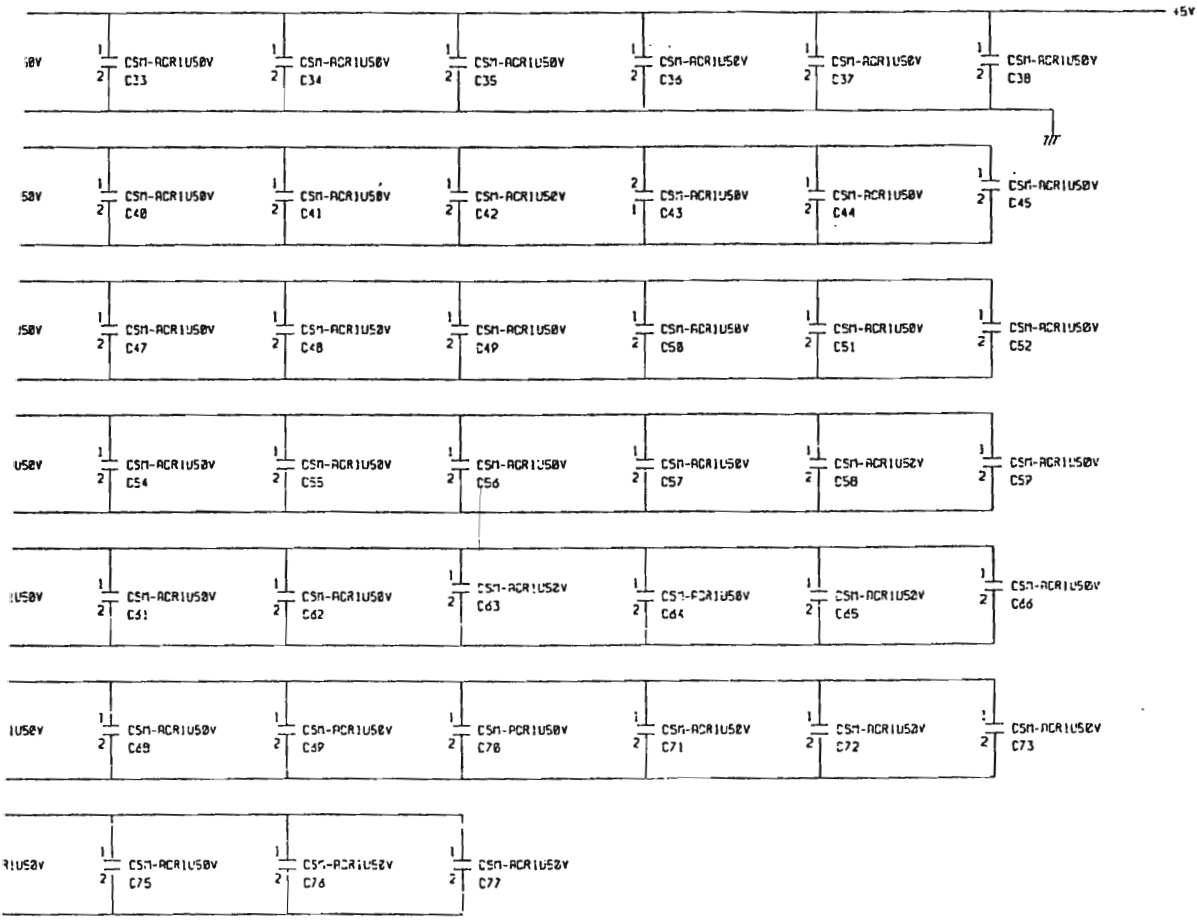
26 28 30 32 34 36 38 40 42 44 46 48 50 52 54 56 58 60 62 64



YEE-022943
 YEE-022943

26 28 30 32 34 36 38 40 42 44 46 48 50 52 54

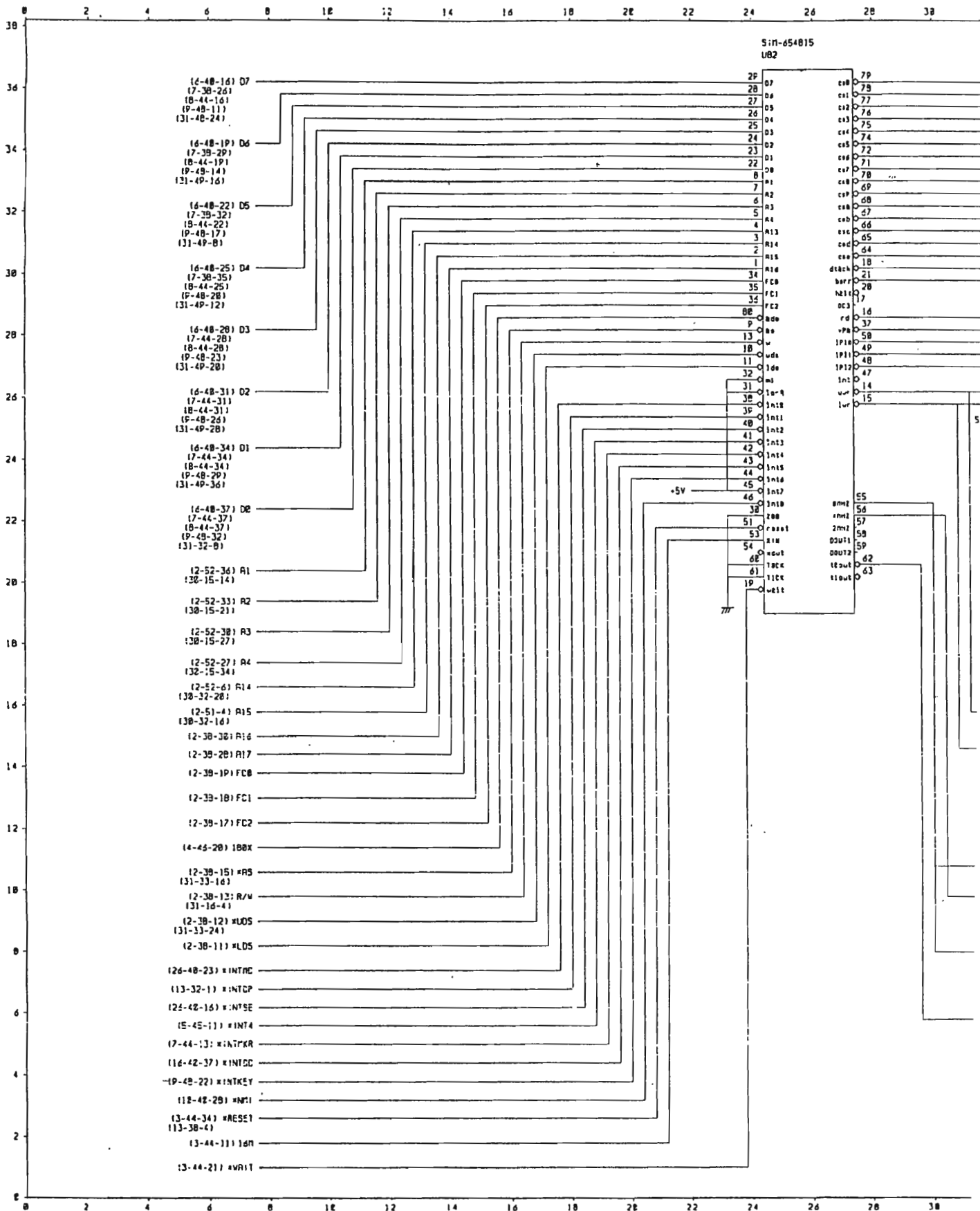
38
36
34
32
30
28
26
24
22
20
18
16
14
12
10
8
6
4
2



□ YEE-028053
 □ YEE-022963

**R3261/3361 CPU (POWER LINE
 BLQ-015669 28/33 CAPACITORS)**

26 28 30 32 34 36 38 40 42 44 46 48 50 52 54



517-654815
UB2

- 16-48-161 D7
- 17-38-261
- 18-44-161
- 19-48-111
- 131-48-241
- 16-48-191 D6
- 17-38-291
- 18-44-191
- 19-48-141
- 131-49-161
- 16-48-221 D5
- 17-38-321
- 18-44-221
- 19-48-171
- 131-49-81
- 16-48-251 D4
- 17-38-351
- 18-44-251
- 19-48-281
- 131-49-121
- 16-48-281 D3
- 17-44-281
- 18-44-281
- 19-48-231
- 131-49-281
- 16-48-311 D2
- 17-44-311
- 18-44-311
- 19-48-261
- 131-49-281
- 16-48-341 D1
- 17-44-341
- 18-44-341
- 19-48-291
- 131-49-361
- 16-48-371 D0
- 17-44-371
- 18-44-371
- 19-48-321
- 131-32-81
- 12-52-361 R1
- 138-15-141
- 12-52-331 R2
- 138-15-211
- 12-52-381 R3
- 138-15-271
- 12-52-271 R4
- 132-15-341
- 12-52-61 R14
- 138-32-281
- 12-51-41 R15
- 138-32-161
- 12-38-381 R16
- 12-38-281 R17
- 12-38-191 FC8
- 12-38-181 FC1
- 12-38-171 FC2
- 14-45-281 I80X
- 12-38-151 *R5
- 131-33-161
- 12-38-121 R/W
- 131-16-41
- 12-38-121 *LDS
- 131-33-241
- 12-38-111 *LDS
- 126-48-231 *INTRE
- 113-32-111 *INTCP
- 125-42-161 *INTSE
- 15-45-111 *INT4
- 17-44-131 *INTPKR
- 116-42-371 *INTSC
- 119-48-221 *INTKEY
- 112-42-281 *INT1
- 13-44-341 *RESET
- 113-38-41
- 13-44-111 I80
- 13-44-211 *WRIT

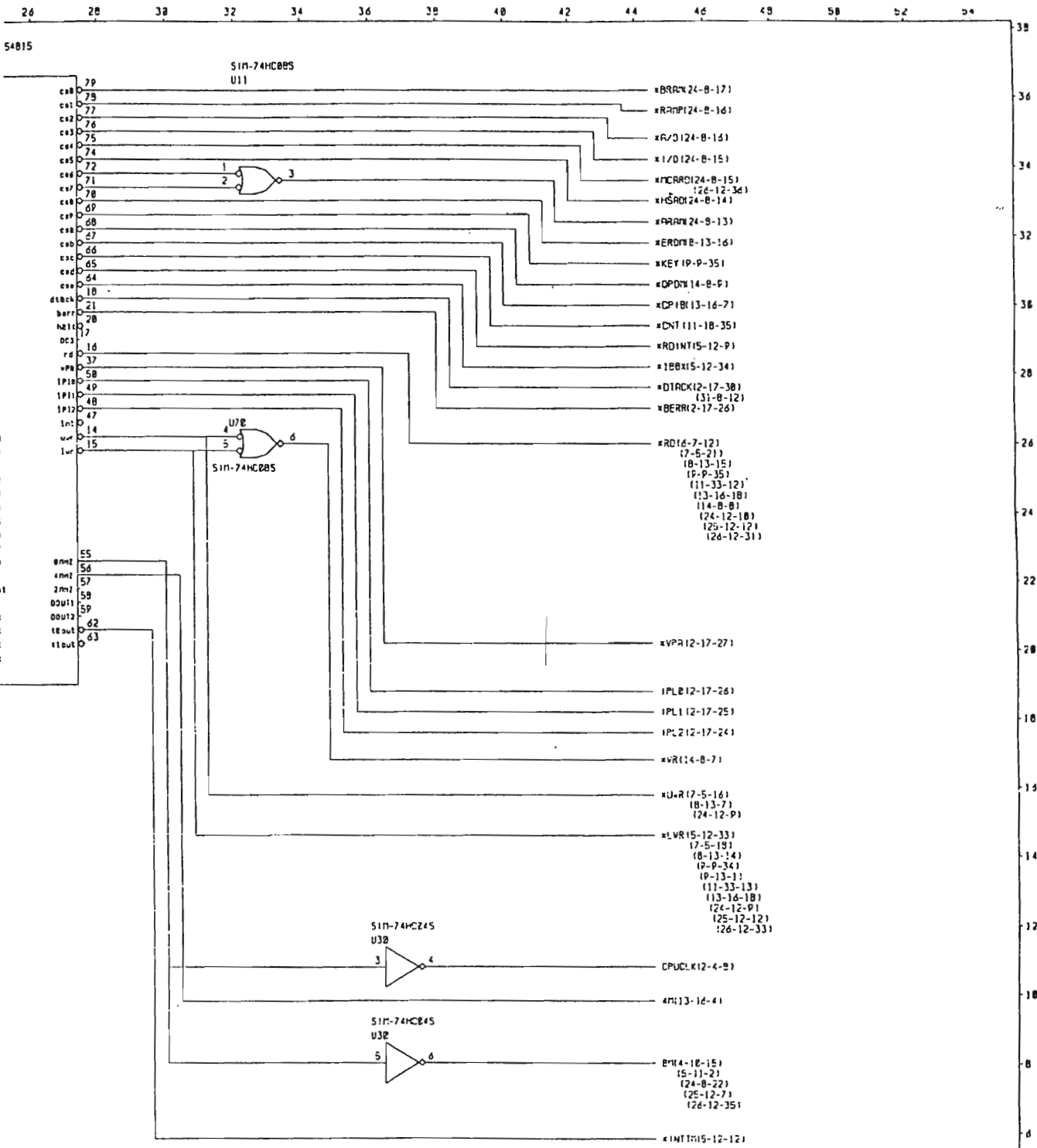
- 2F D7
- 28 D6
- 27 D5
- 26 D4
- 25 D3
- 24 D2
- 23 D1
- 22 D0
- 8 R1
- 7 R2
- 6 R3
- 5 R4
- 4 R13
- 3 R14
- 2 R15
- 1 R16
- 34 FC8
- 35 FC9
- 34 FC1
- 34 FC2
- 88 R80
- 9 R8
- 13 W
- 18 Wdx
- 11 Wde
- 32 W
- 31 W-9
- 38 Wnt8
- 39 Wnt1
- 48 Wnt2
- 41 Wnt3
- 42 Wnt4
- 43 Wnt5
- 44 Wnt6
- 45 Wnt7
- 46 Wnt8
- 38 Z88
- 51 R8881
- 53 R18
- 54 R888
- 68 T88C
- 61 T18C
- 19 Wnt1

- 79
- 78
- 77
- 76
- 75
- 74
- 73
- 72
- 71
- 70
- 69
- 68
- 67
- 66
- 65
- 64
- 18
- 21
- 28
- 17
- 16
- 37
- 58
- 49
- 48
- 47
- 14
- 15
- 55
- 56
- 57
- 58
- 59
- 62
- 63

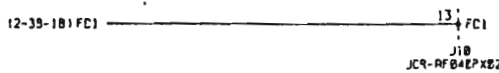
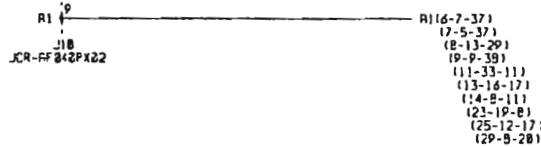
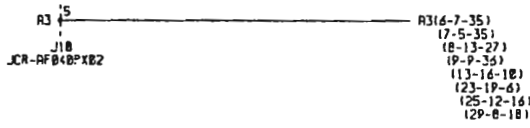
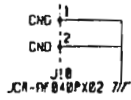
+5V

77

5



R3261/3361 CPU (DECORDER & CLOCK GENERATOR)
 BLQ-015669 29/33



26 28 30 32 34 36 38 40 42 44 46 48 50 52 54

R10(5-12-35)
(6-7-28)
(7-5-29)
(8-13-28)
(24-13-34)

15
FC2
J10
JCR-PF040PX02

R11(5-12-32)
(6-7-27)
(7-5-29)
(8-13-19)
(24-13-33)

IPL0(2-17-25)

R12(6-7-26)
(7-5-28)
(8-13-18)
(24-13-32)

IPL1(2-17-25)

R13(6-7-18)
(7-5-27)
(8-13-17)
(24-13-32)

IPL2(2-17-24)

R14(6-7-17)
(7-5-26)
(24-13-31)
(29-8-17)

xBERR(2-17-26)

R15(6-7-16)
(7-5-25)
(24-13-31)
(29-8-16)

xVPR(2-17-27)

26
R16

27
E
J10
JCR-PF040PX02

28
R17

29
VPR
J10
JCR-PF040PX02

12-38-261 R10 R18

RESET
J12
JCR-PF040PX02

12-38-241 R19 R19

13-44-291 xHRLT xHRLT

R20 R20(4-18-30)

CND
35

+5V 36 +5V

CPUCLK 37 CPUCLK(2-4-8)

R21 38 R21(4-18-29)

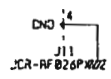
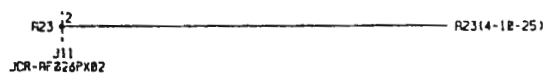
+5V 39 +5V

R22 40 R22(4-18-28)
J10
JCR-PF040PX02

R3261/3361 CPU (CONNECTOR)
BLQ-015669 30/33

26 28 30 32 34 36 38 40 42 44 46 48 50 52 54

2 4 6 8 10 12 14 16 18 20 22 24 26 28 30 32



PLC-61566PCC



1
3
6
4
2
10
8
4
2
2

2 4 6 8 10 12 14 16 18 20 22 24 26 28 30 32

D13(2-4-13)
(14-B-15)
(23-12-15)

D1 11P
J11
JCR-RF026PX02

D112(4-35)
(5-12-17)
(11-19-15)
(13-B-21)
(14-B-32)
(23-12-36)
(25-12-25)
(29-B-24)

11 L05
J11
JCR-RF026PX02

D8 120
J11
JCR-RF026PX02

D812(4-21)
(14-B-21)
(23-12-23)

D12(2-4-14)
(14-B-16)
(23-12-17)

D2 121
J11
JCR-RF026PX02

D212(4-33)
(5-12-19)
(11-19-12)
(13-B-19)
(14-B-31)
(23-12-34)
(25-12-27)
(29-B-26)

1005(29-B-9)

D7 122
J11
JCR-RF026PX02

D712(4-23)
(5-12-24)
(11-19-2)
(13-B-9)
(14-B-23)
(23-12-25)
(25-12-37)
(29-B-36)

D1112(4-16)
(14-B-18)
(23-12-18)

D3 123
J11
JCR-RF026PX02

D312(4-31)
(5-12-28)
(11-19-18)
(13-B-17)
(14-B-29)
(23-12-32)
(25-12-29)
(29-B-28)

105(14-B-24)
(27-12-32)
(29-B-11)

D6 124
J11
JCR-RF026PX02

D612(4-25)
(5-12-22)
(11-19-4)
(13-B-11)
(14-B-24)
(23-12-27)
(25-12-35)
(29-B-34)

D1012(4-18)
(14-B-19)
(23-12-20)

D4 125
J11
JCR-RF026PX02

D412(4-29)
(5-12-26)
(11-19-9)
(13-B-15)
(14-B-28)
(23-12-38)
(25-12-31)
(29-B-30)

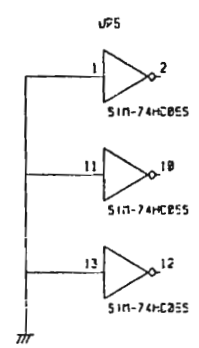
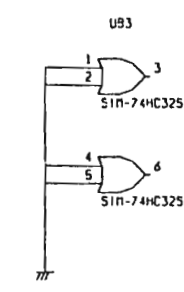
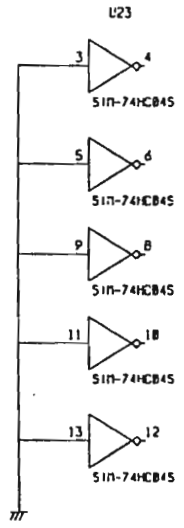
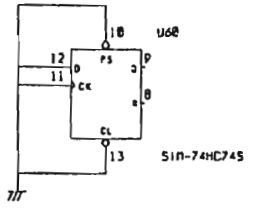
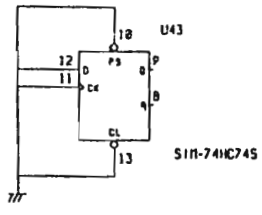
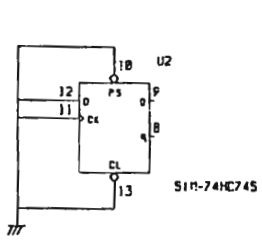
D012(4-37)
(5-12-31)
(11-19-17)
(13-B-23)
(14-B-34)
(23-12-37)
(25-12-23)
(29-B-22)

D5 126
J11
JCR-RF026PX02

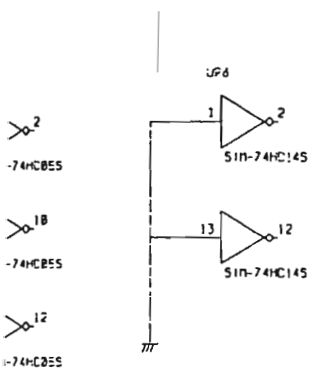
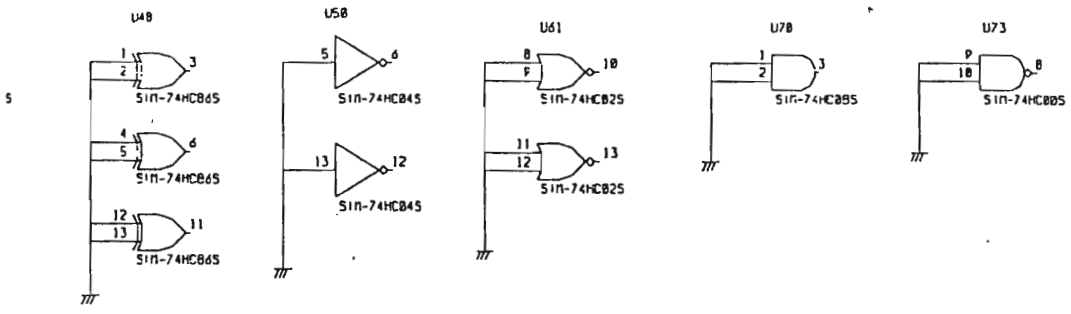
D512(4-27)
(5-12-21)
(11-19-6)
(13-B-13)
(14-B-26)
(23-12-28)
(25-12-33)
(29-B-32)

D912(4-19)
(14-B-20)
(23-12-21)

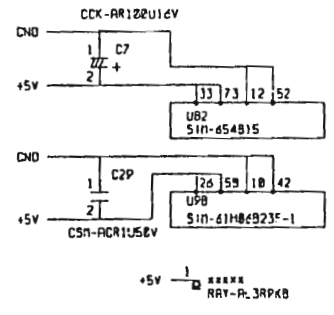
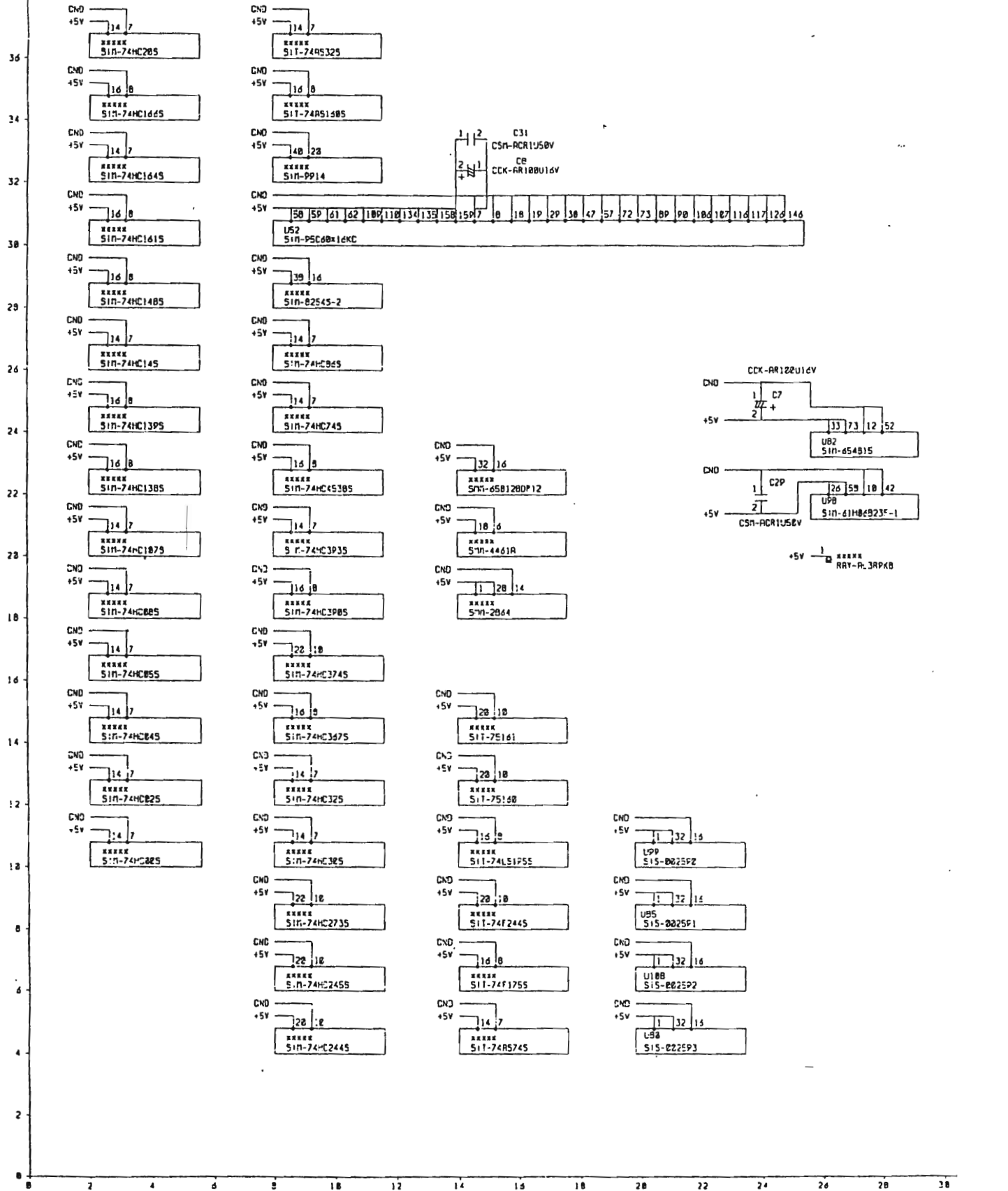
R3261/3361 CPU (CONNECTOR)
BLQ-015669 31/33



1
3
6
4
2
10
8
6
4
2
8



R3261/3361 CPU (UNUSED GATES)
BLQ-015669 32/33

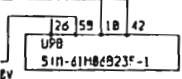
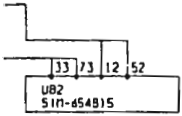


26 28 30 32 34 36 38 40 42 44 46 48 50 52 54

38
36
34
32
30
28
26
24
22
20
18
16
14
12
10
8
6
4
2
0

6

U16V



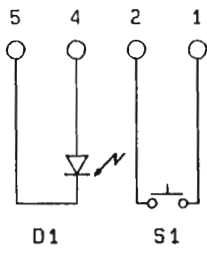
EV
1
RRR
RRY-P. 3APKB

R3261/3361 CPU(POWER CONNECTION)
BLQ-015669 33/33

26 28 30 32 34 36 38 40 42 44 46 48 50 52 54

R3261/3361
TG KEY
BLB-015775 (1/1)

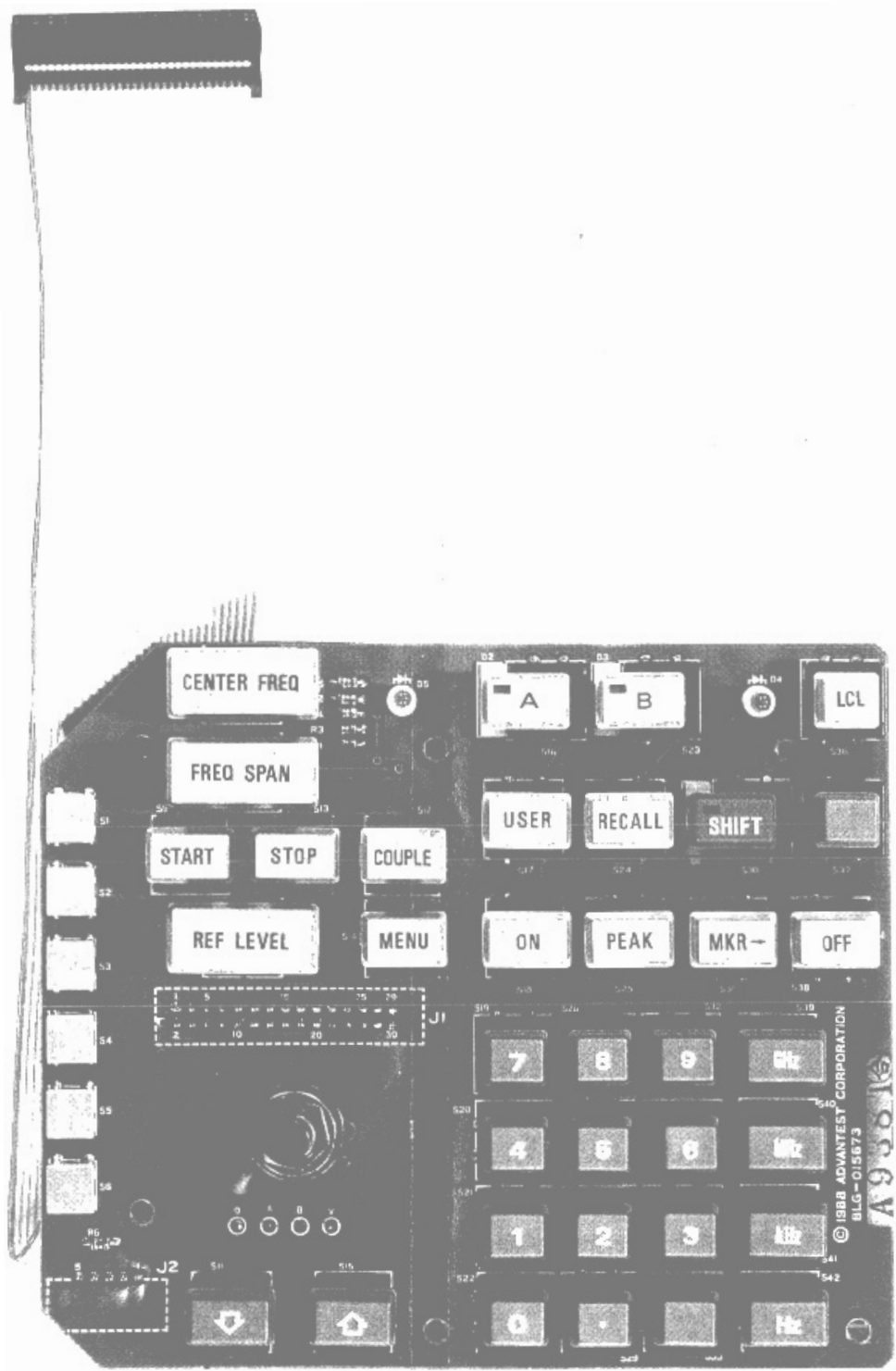
Parts No.	Advantest Stock No.	Description	Note
D1	NLD-000010	LED	
J1	DCB-QS1272X02-1	CABLE ASSEMBLY	
S1	KSP-000609	SWITCH	



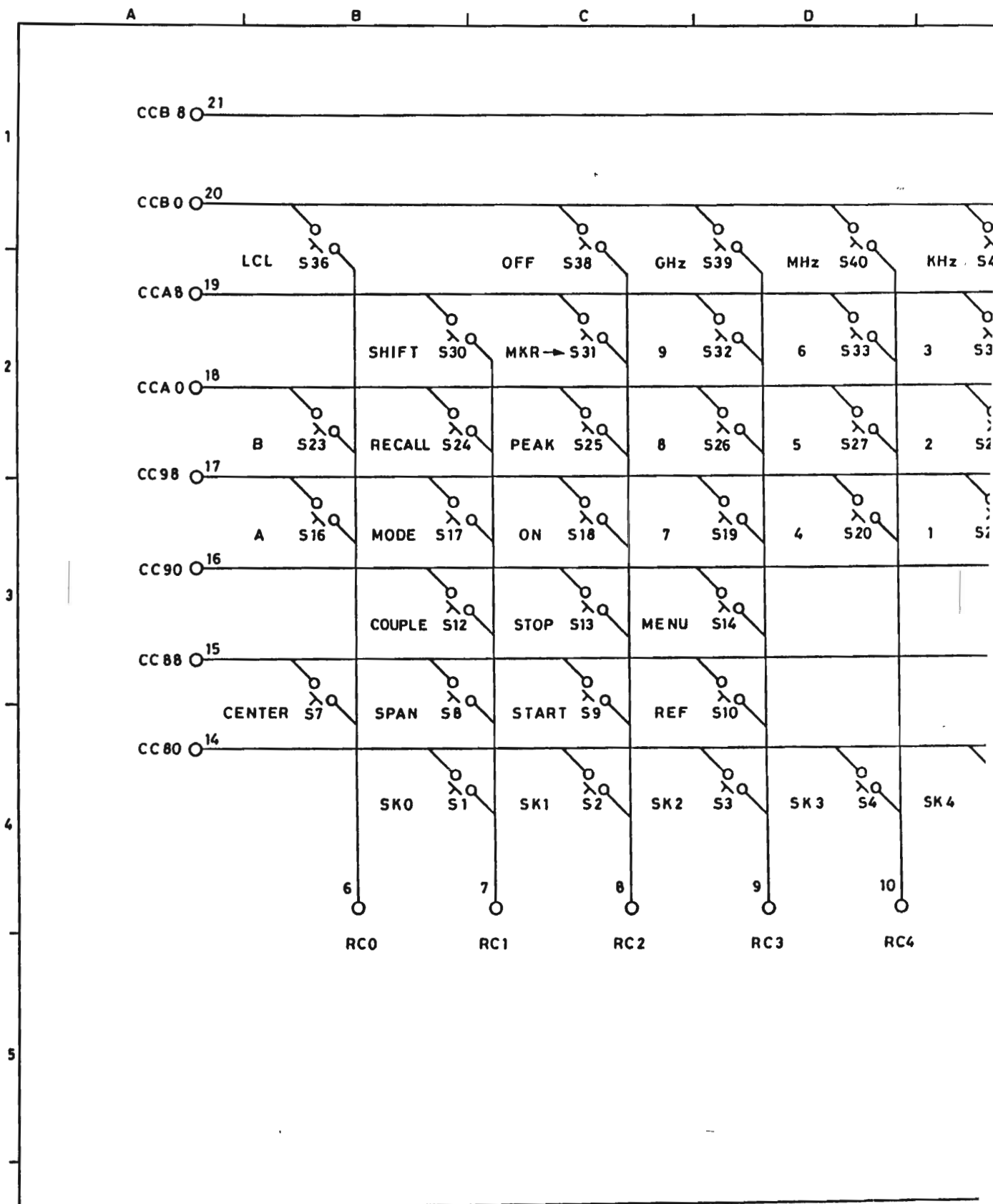
R3361 TG KEY
BLB-015775

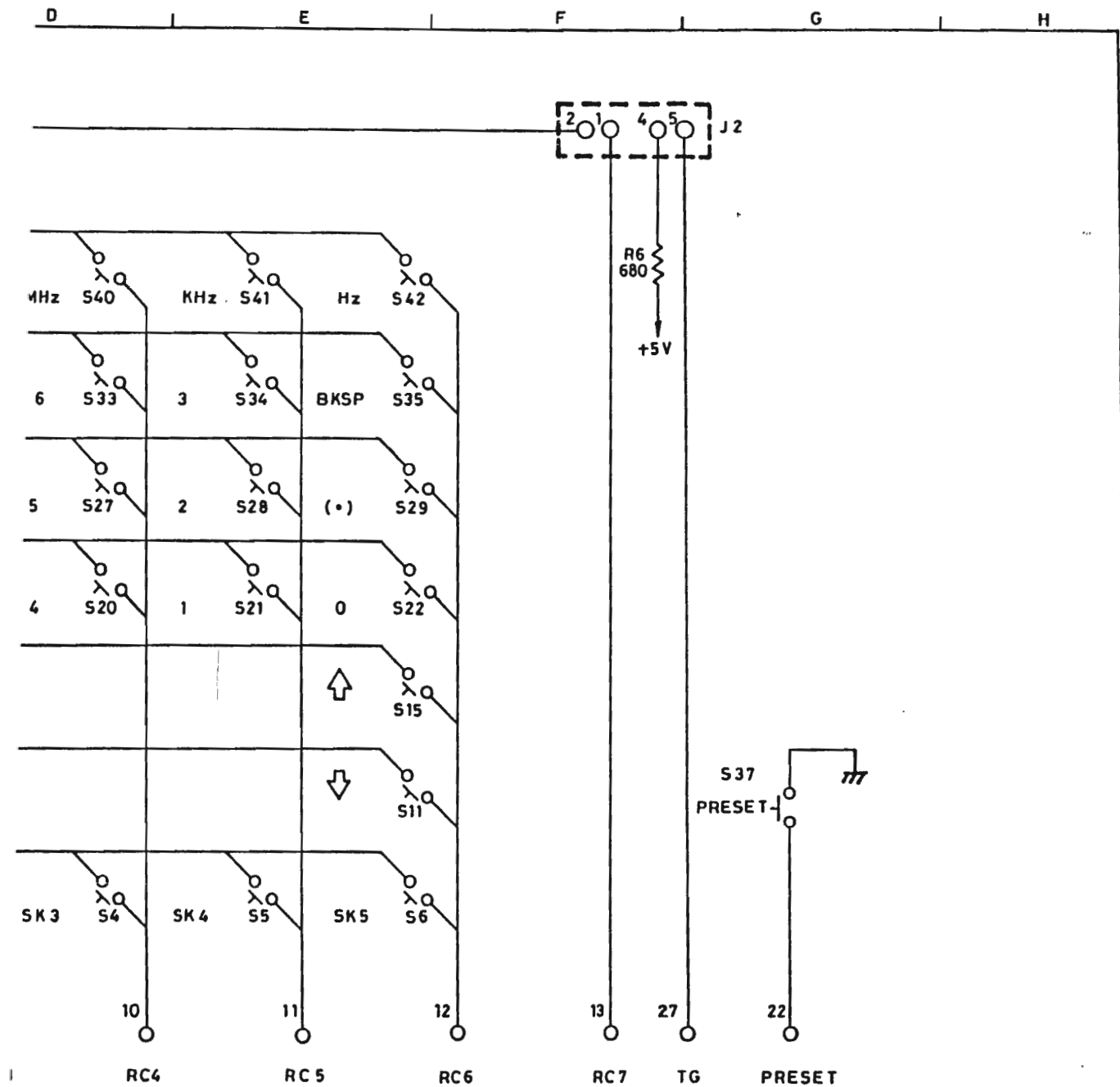
R3261/3361
 KEY
 BLQ-015673 (1/1)

Parts No.	Advantest Stock No.	Description	Note
D1-3 D4 D5 J1 J2	NLD-000010 NLD-000111 NLD-000010 DCB-RR1792X03-1 JCP-BH005PX02	LED LED LED CONNECTOR CONNECTOR	
R1-6 S1-6 S7-42	RCB-AG680 KSP-000888 KSP-000609	FXD CAR 680Ω ±5% 1/8W SWITCH SWITCH	



PARTS LOCATION
KEY
BLG-015673





R3261/3361 KEY
BLG-015673 1/2

A

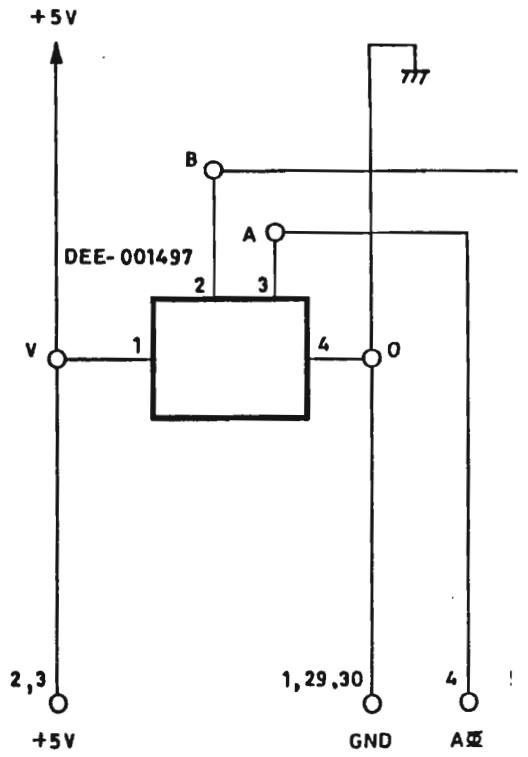
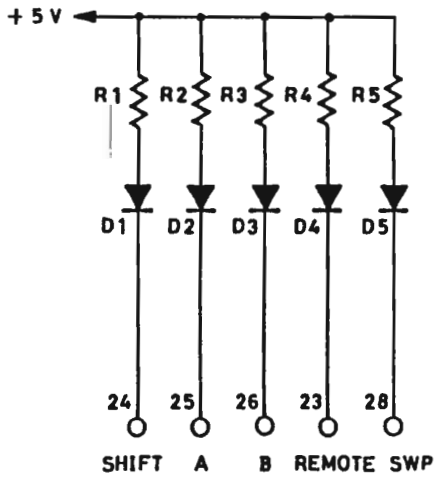
B

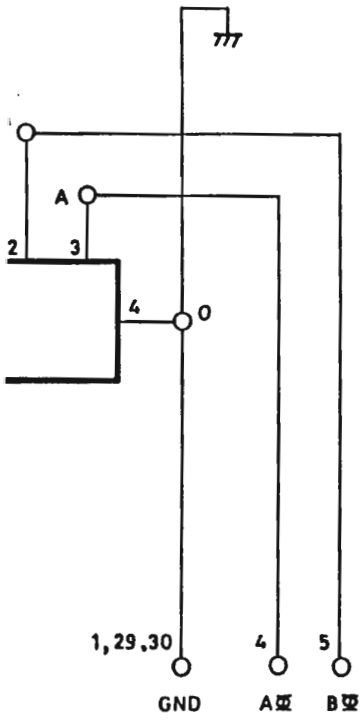
C

D

E

D1 ~ D5
R1 ~ R5 : RCB - AG680





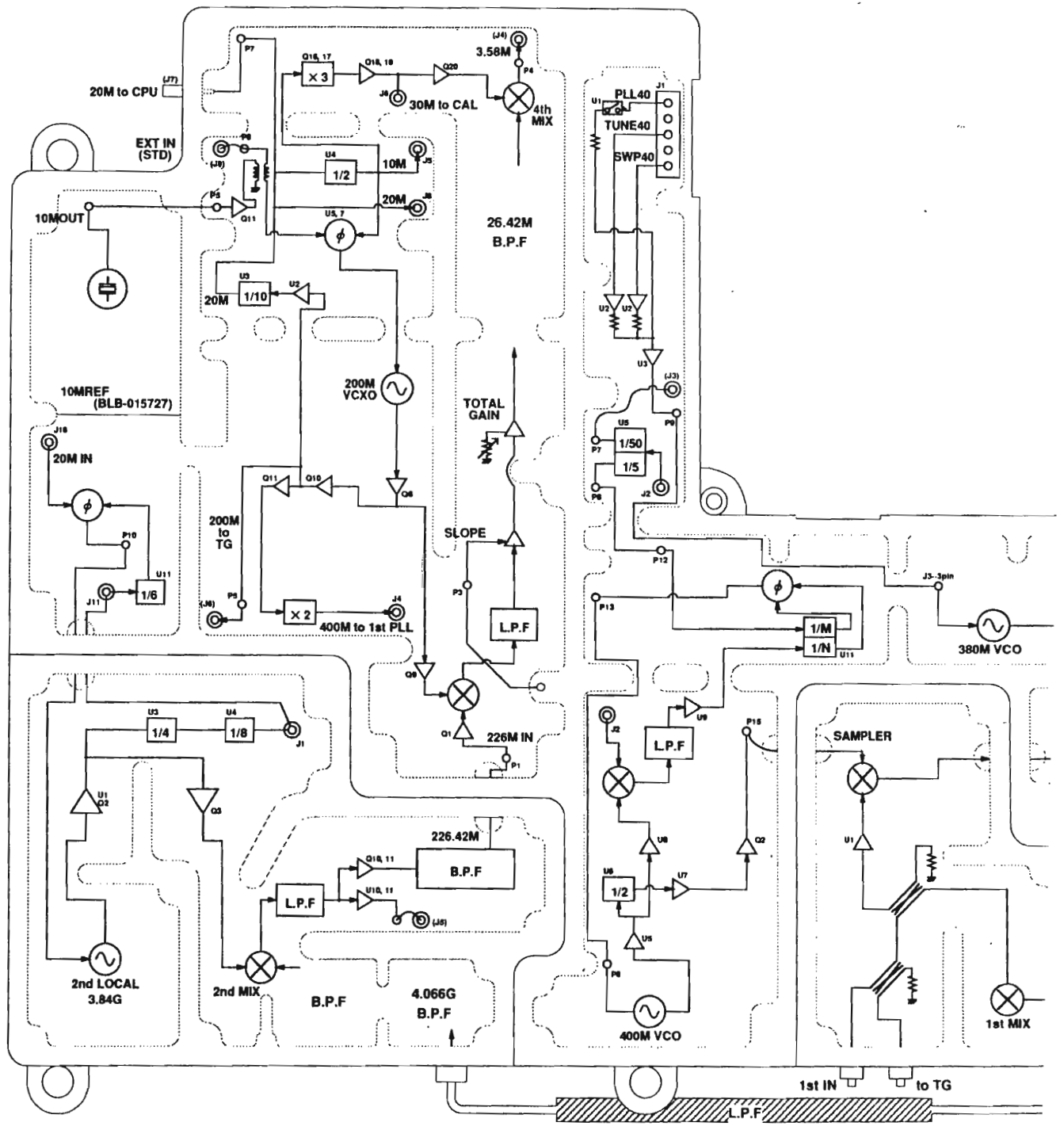
R3261/3361 KEY
BLG-015673 2/2

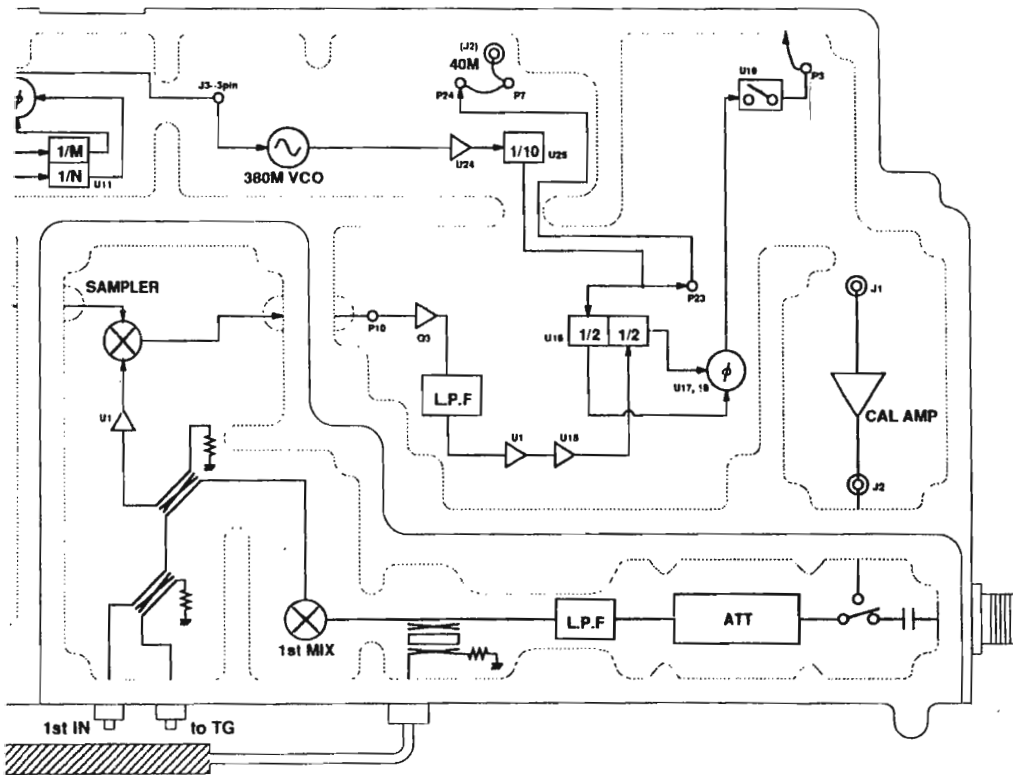
R3261/3361
RF BLOCK
WBL-3261RF (1/1)

Parts No.	Advantest Stock No.	Description	Note
	BLB-015646 BLB-015647 BLB-015727 BLC-015650 BLG-015645		
	BLH-015667 BLK-015649 BTB-015641 BTB-015642 BTB-016118		
	BTD-015644 DCB-FQ1170X01-1 JCS-AD010JX01-1 JTM-BL001JX01 JTM-BP001JX01	CABLE ASSEMBLY CONNECTOR CONNECTOR CONNECTOR	
C1	CFT-AK220P50V	FXD COAXIAL 220PF	+100%, -0% 50V
C2	CSM-TG1U50V	FXD CER 1 μ F	+80%, -20% 50V
CB3	DCB-FF3828X14-1	CABLE ASSEMBLY	
CB4	DCB-FF3828X09-1	CABLE ASSEMBLY	
CB5	DCB-FF3828X09-1	CABLE ASSEMBLY	
CB7	DCB-FF0971X11A-1	CABLE ASSEMBLY	
CB8	DCB-FF0971X09A-1	CABLE ASSEMBLY	
CB9	DCB-FF3828X06-1	CABLE ASSEMBLY	
CB10	DCB-FF3828X06-1	CABLE ASSEMBLY	
CB11	DCB-FQ3828X01-1	CABLE ASSEMBLY	
CB12	DCB-QR3831X01-1	CABLE ASSEMBLY	
FL1	DNF-001052	EMI FILTER	
FL32	DNF-001052	EMI FILTER	
FL40	DEE-001830	4GHz COAXIAL LPF	
J1	JCF-AF001JX09	CONNECTOR	
J2	JCF-AC001JX02	CONNECTOR	
J9	JCF-AC001JX02	CONNECTOR	
J10	JCF-AF003JX05-3	CONNECTOR	
J11	JCS-AV004JX01	CONNECTOR	
J12	JCR-AE010JX02	CONNECTOR	
J13	YEE-000734-1	CONNECTOR	
L1	LCL-B00820	COIL 33 μ H	\pm 10%
OS1	DXY-001664-1	TOP-1244 YTO (CUSTOM DEVICE)	

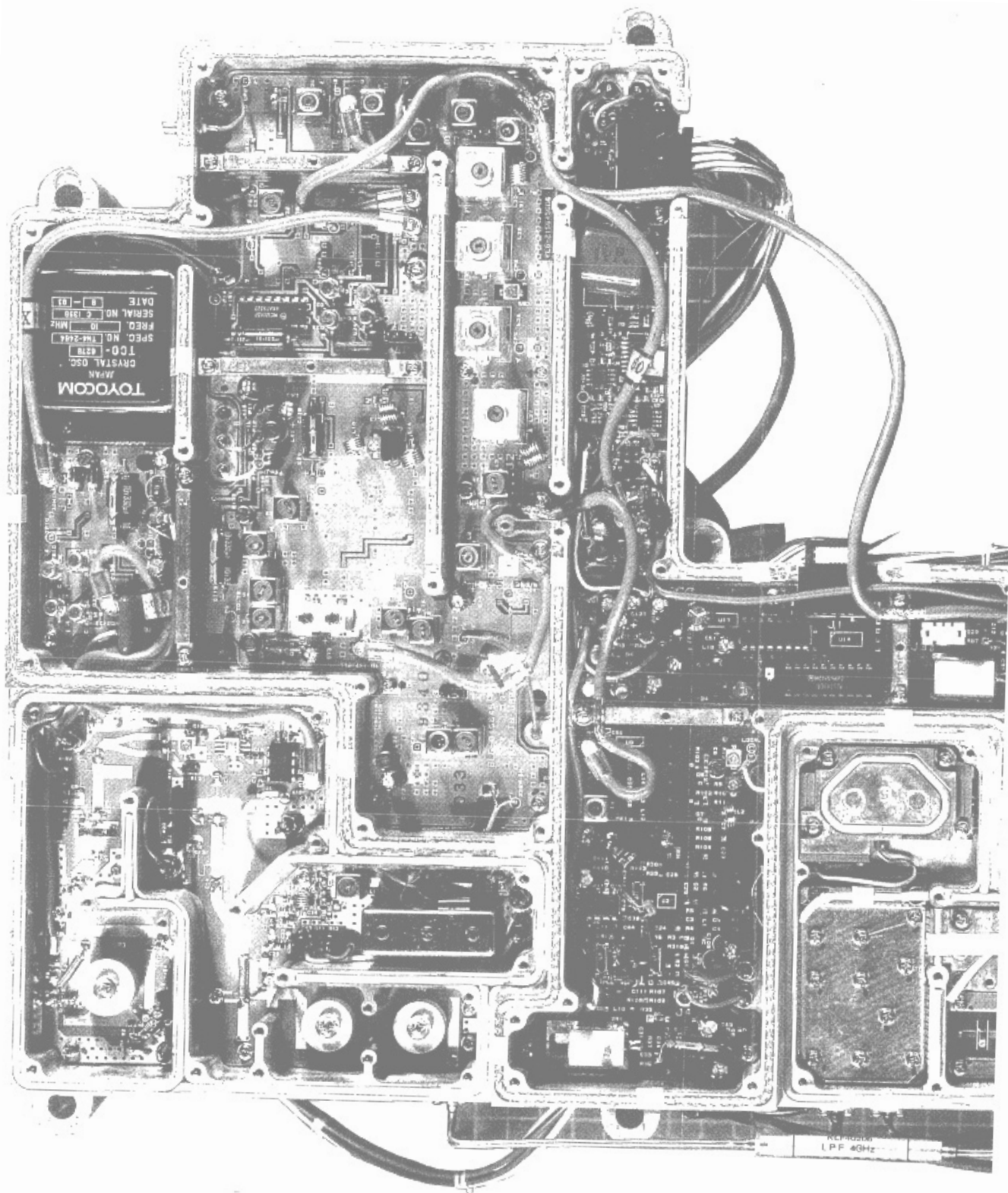
**R3261/3361
RF BLOCK
WBL-3361RF (1/1)**

Parts No.	Advantest Stock No.	Description	Note
	BLB-015646 BLB-015647 BLB-015727 BLC-015650 BLG-015645		
	BLH-015667 BLK-015649 BTB-015641 BTB-015642 BTB-016118		
	BTD-015644 DCB-FQ1170X01-1 DCB-FQ1170X02-1 JCS-AD010JX01-1 JTM-BL001JX01	CABLE ASSEMBLY CABLE ASSEMBLY CONNECTOR CONNECTOR	
C1	JTM-BP001JX01	CONNECTOR	
C2	CFT-AK220P50V	FXD COAXIAL 220PF +100%, -0% 50V	
CB3	CSM-TG1U50V	FXD CER 1 μ F +80%, -20% 50V	
CB4	DCB-FF3828X14-1	CABLE ASSEMBLY	
	DCB-FF3828X09-1	CABLE ASSEMBLY	
CB6	DCB-FF0971X12A-1	CABLE ASSEMBLY	
CB7	DCB-FF0971X11A-1	CABLE ASSEMBLY	
CB8	DCB-FF0971X09A-1	CABLE ASSEMBLY	
CB9	DCB-FF3828X06-1	CABLE ASSEMBLY	
CB10	DCB-FF3828X06-1	CABLE ASSEMBLY	
CB11	DCB-FQ3829X01-1	CABLE ASSEMBLY	
CB12	DCB-QR3831X01-1	CABLE ASSEMBLY	
FL1	DNF-001052	EMI FILTER	
FL32	DNF-001052	EMI FILTER	
FL40	DEE-001830	4GHz COAXIAL LPF	
J1	JCF-AF001JX09	CONNECTOR	
J2	JCF-AC001JX02	CONNECTOR	
J9	JCF-AC001JX02	CONNECTOR	
J10	JCI-AF003JX05-3	CONNECTOR	
J11	JCS-AV004JX01	CONNECTOR	
J12	JCR-AE010JX02	CONNECTOR	
J13	YEE-000734-1	CONNECTOR	
L1	LCL-B00820	COIL 33 μ H \pm 10%	
OS1	DXY-001664	TOP-1244 YTO (CUSTOM DEVICE)	



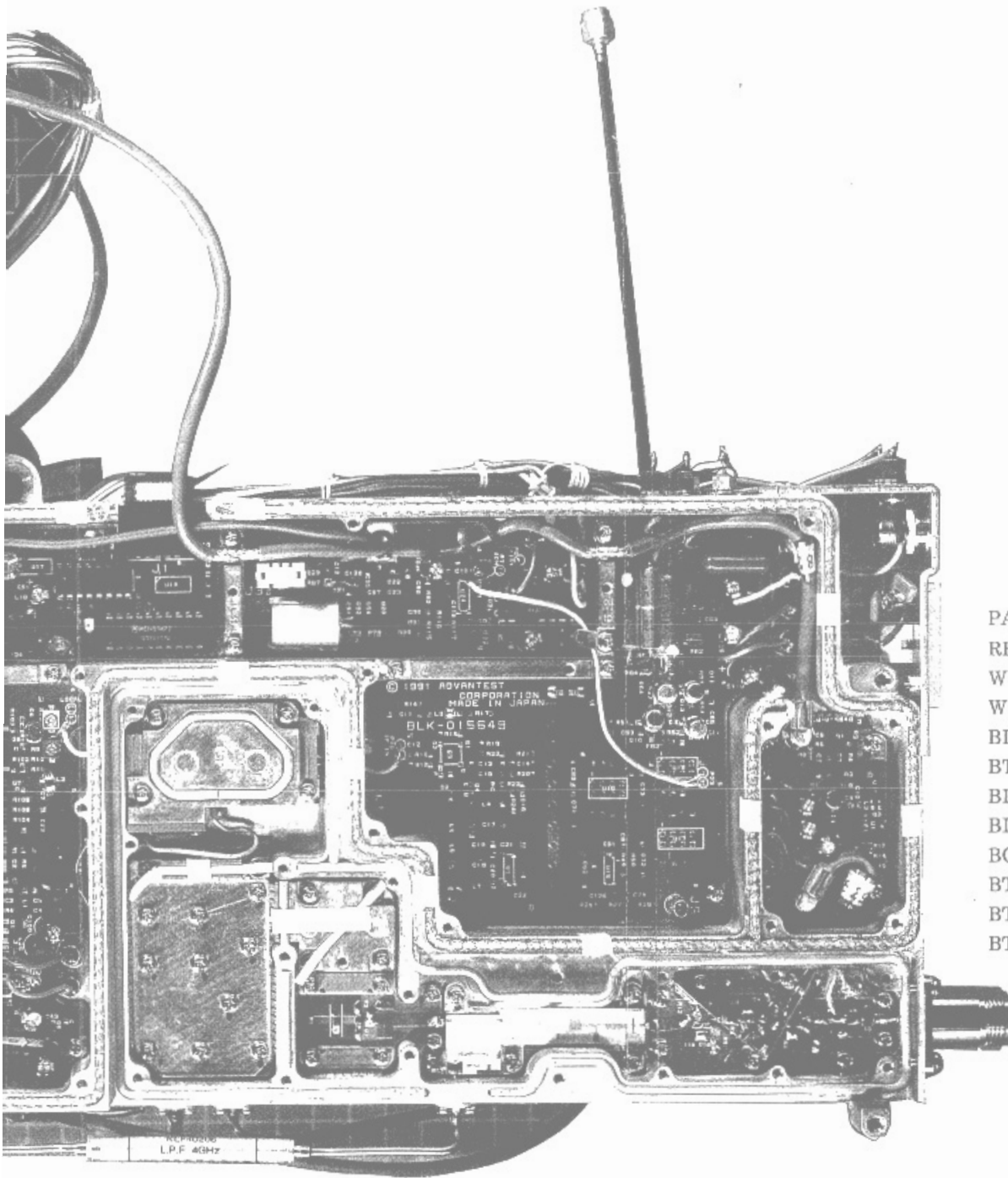


**CIRCUIT LAYOUT
 RF BLOCK 1
 WBL-3261RF
 WBL-3361RF
 BLB-015646
 BTB-016118
 BLC-015650
 BLG-015645
 BCK-015649
 BTB-015641
 BTB-015642
 BTB-015644**

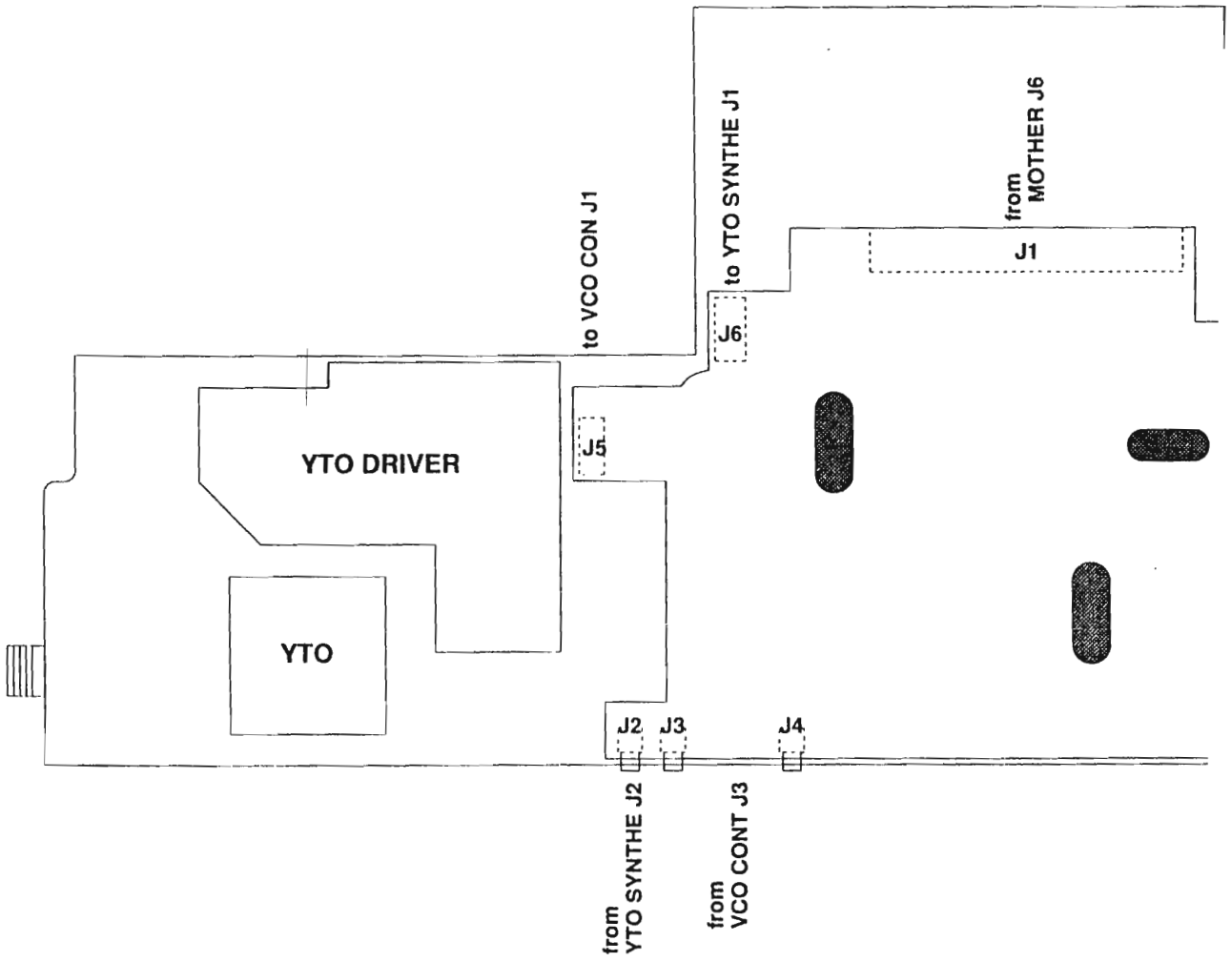


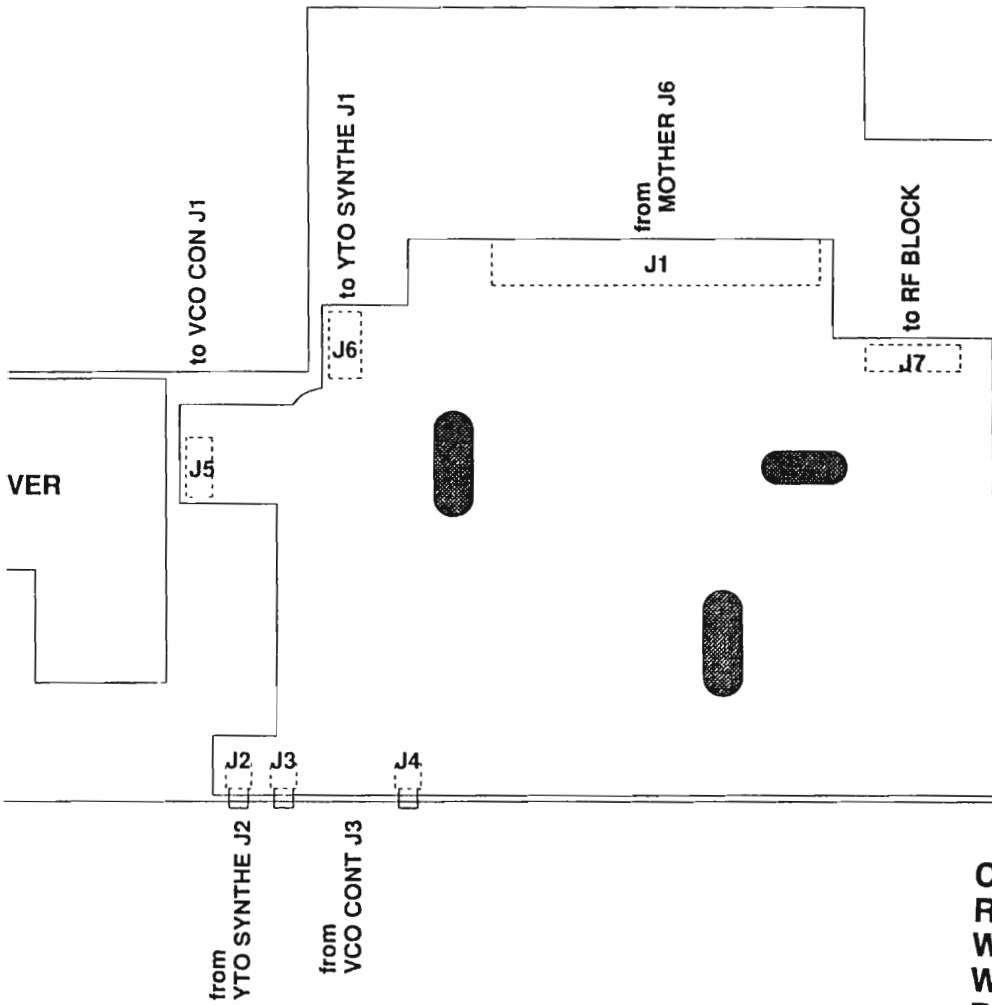
TOYOCOM
CRYSTAL OSC.
100-4376
SPEC. NO. TM-244
FREQ. 10 MHz
SERIAL NO. C 1310
DATE 8-1-83

RF FILTER
LPF 49Hz

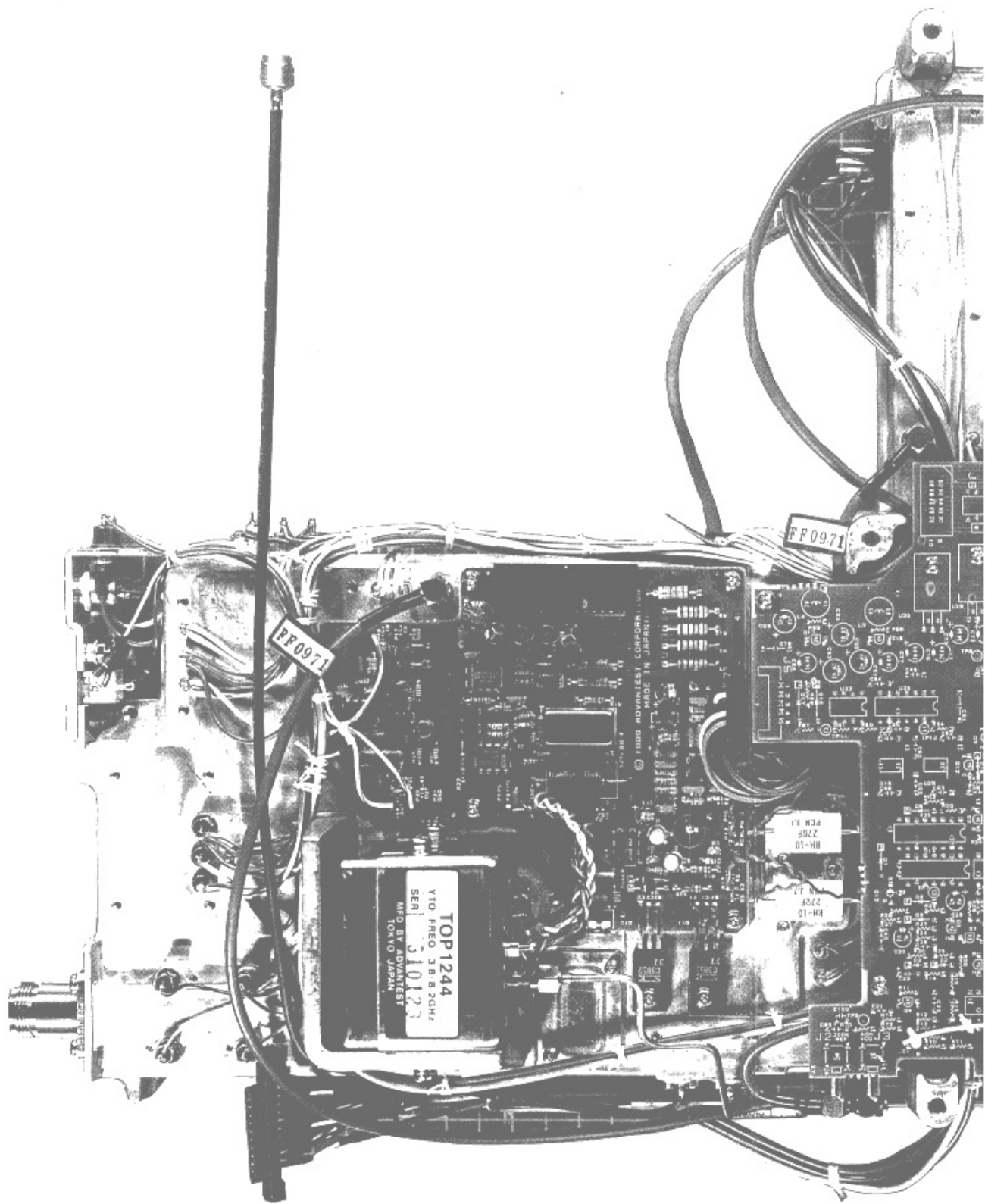


PARTS LOCATION
RF BLOCK 1
WBL-3261RF
WBL-3361RF
BLB-015646
BTB-016118
BLC-015650
BLG-015645
BCK-015649
BTB-015641
BTB-015642
BTB-015644





**CIRCUIT LAYOUT
RF BLOCK 2
WBL-3261RF
WBL-3361RF
BLB-015727**



FF0971

TOP 1244
YTO FREQ. 3 B B 2CH?
SER. 310123
MFD BY ADVANTEST
TOKYO, JAPAN

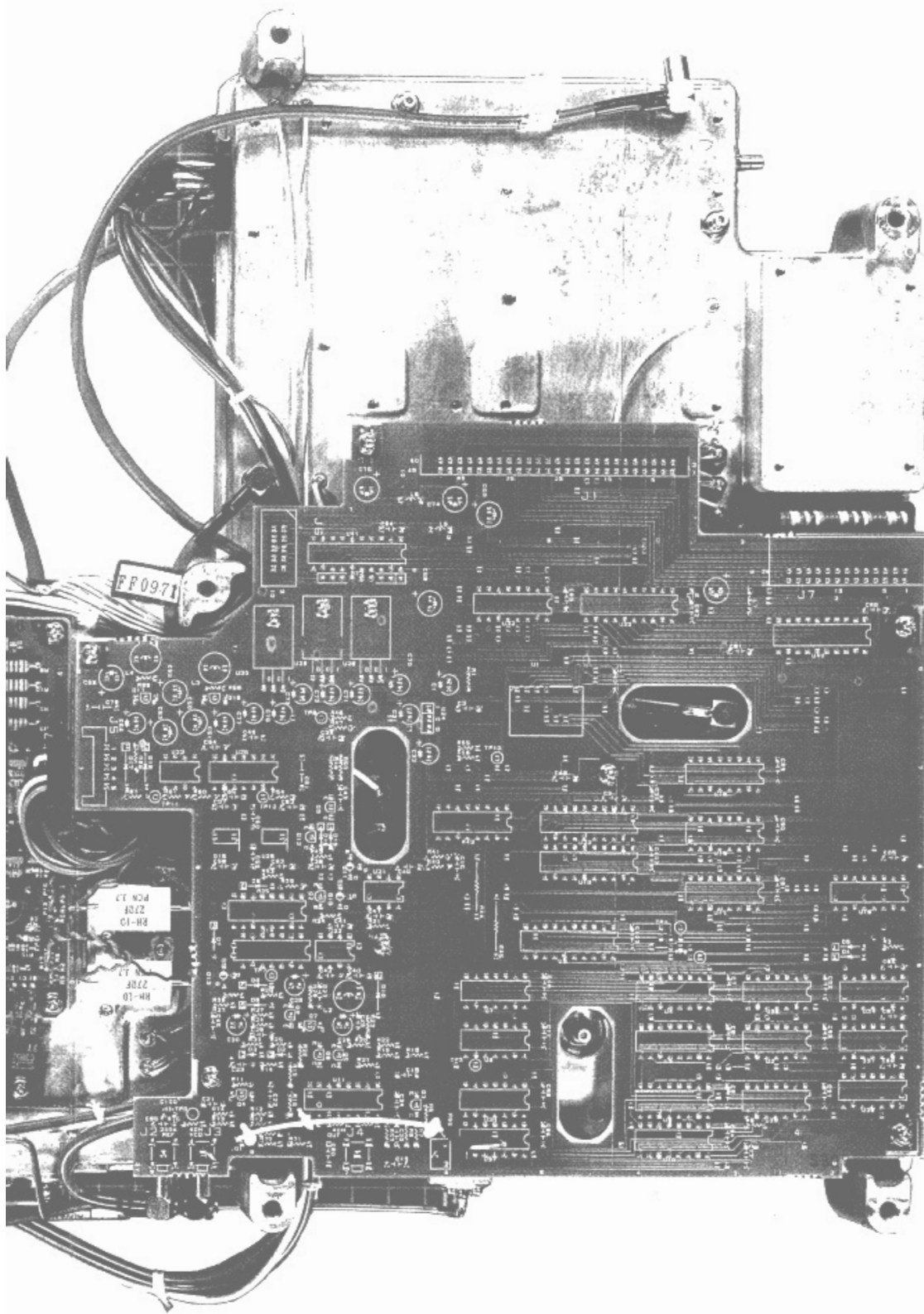
FF0971

© 1988 ADVANTEST CORPORATION
MADE IN JAPAN

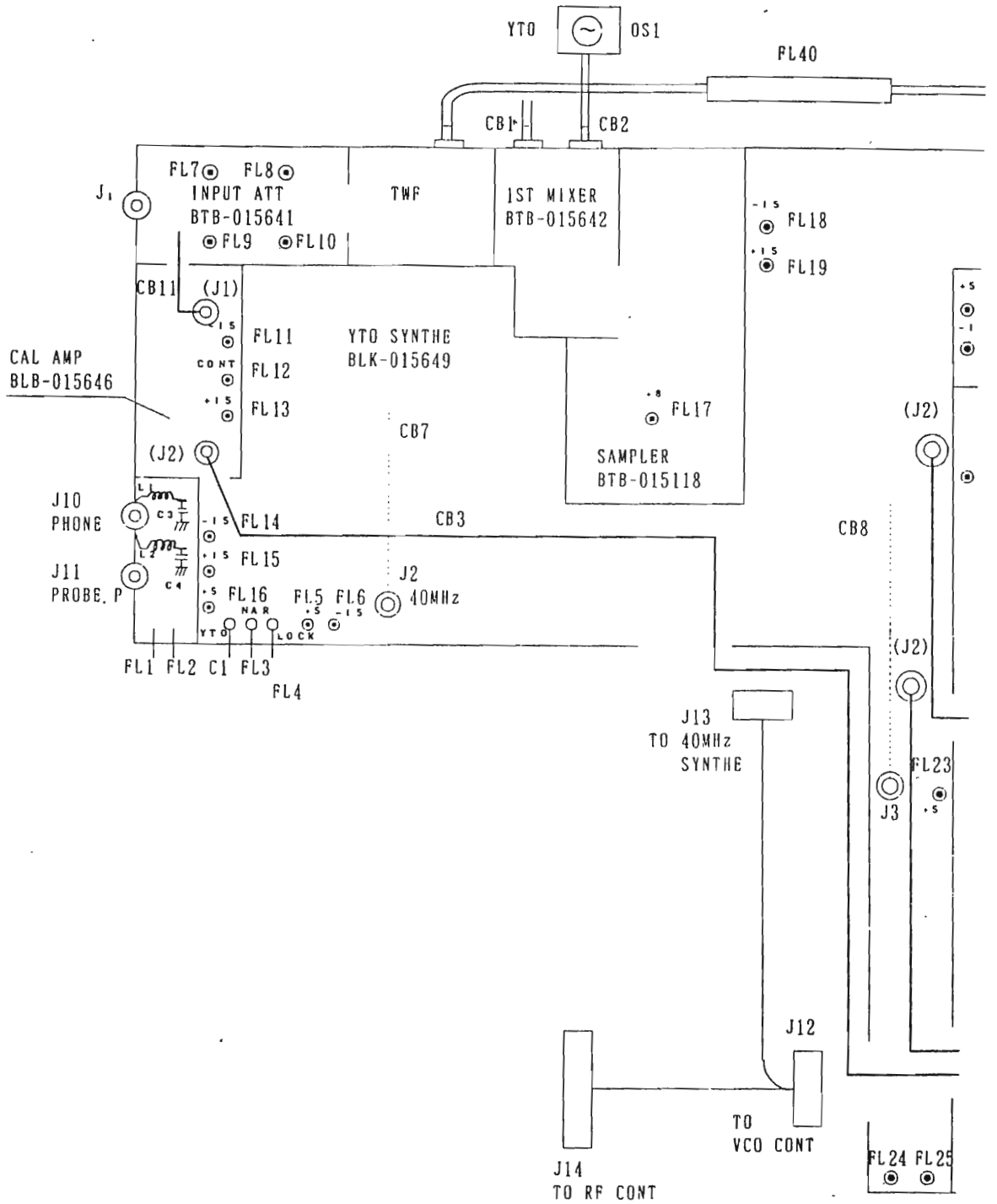
RH-10
270F

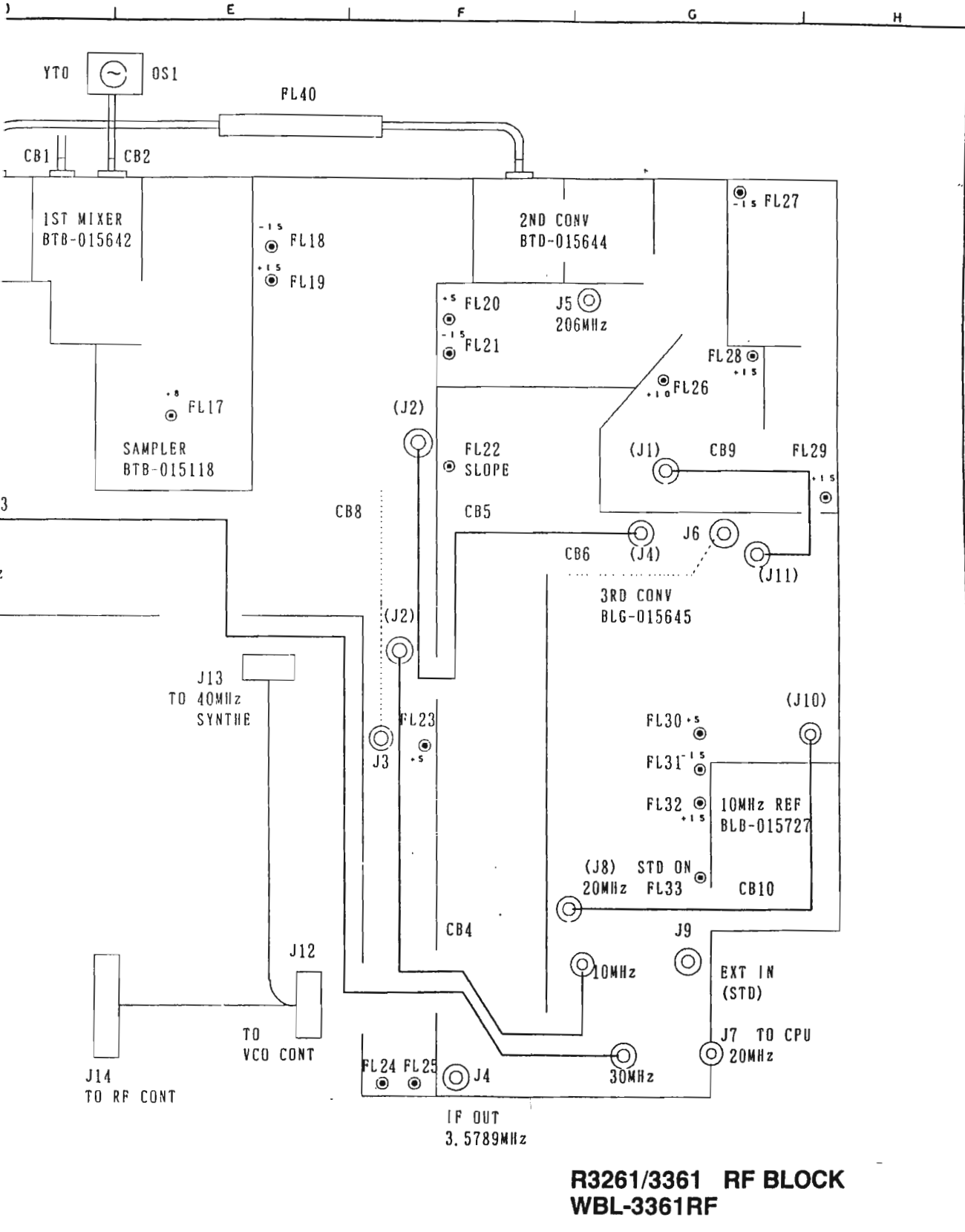
RH-10
270F

REAR
PANEL



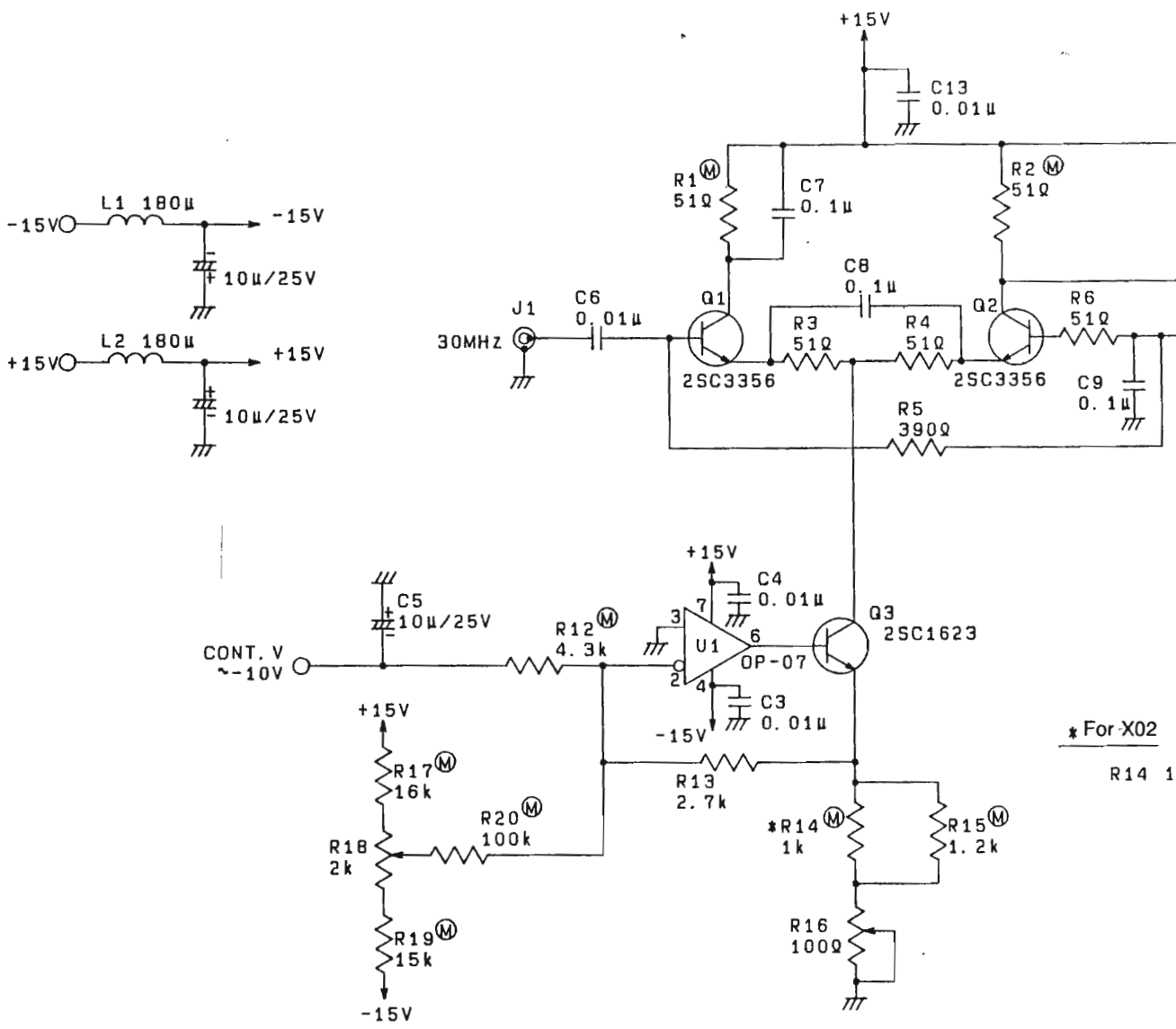
PARTS LOCATION
RF BLOCK 2
WBL-3261RF
WBL-3361RF
BLB-015727





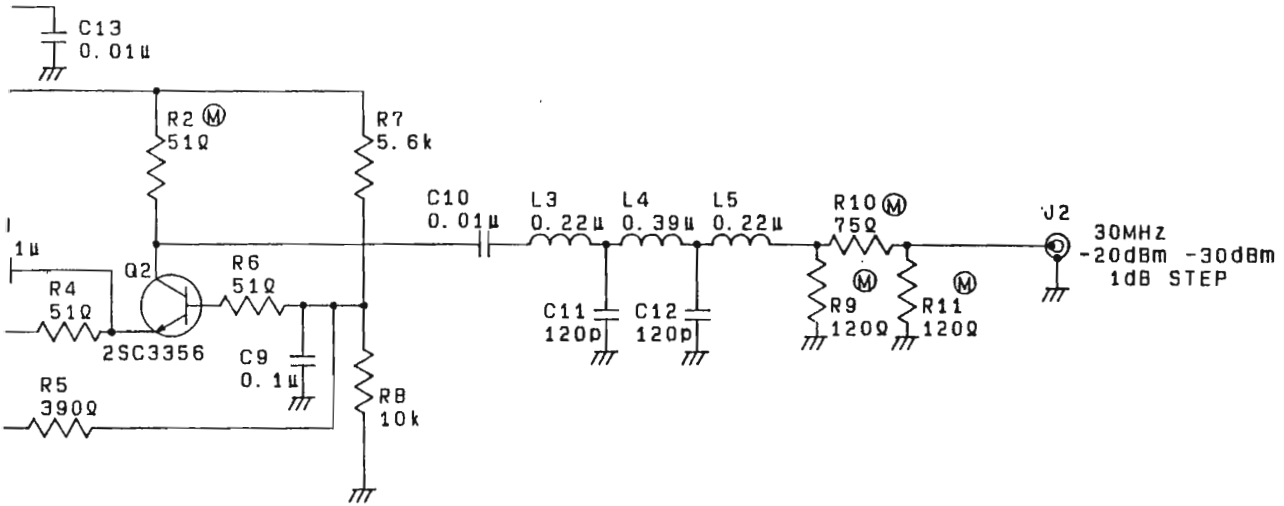
**R3261/3361
CAL AMP
BLB-015646 (1/1)**

Parts No.	Advantest Stock No.	Description					Note
C1	CCK-BX10U25V	FXD	ELECT	10 μ F	\pm 20%	25V	
C3	CCP-BAR01U50V	FXD	CHIP	0.01 μ F	\pm 10%	50V	
C5	CCK-BX10U25V	FXD	ELECT	10 μ F	\pm 20%	25V	
C6	CCP-BAR01U50V	FXD	CHIP	0.01 μ F	\pm 10%	50V	
C7	CCP-BBR1U50V	FXD	CHIP	0.1 μ F	\pm 20%	50V	
C10	CCP-BAR01U50V	FXD	CHIP	0.01 μ F	\pm 10%	50V	
C11	CCP-AV120PR1K	FXD	CHIP	120PF	+80%, -20%	100V	
C13	CCP-BAR01U50V	FXD	CHIP	0.01 μ F	\pm 10%	50V	
J1	JCF-BA001JX01	CONNECTOR					
L1	LCL-C00010	COIL		180 μ H	\pm 10%		
L3	LCL-E00944	COIL	CHIP	220nH	\pm 10%		
L4	LCL-E00948	COIL	CHIP	0.39 μ H	\pm 20%		
L5	LCL-E00944	COIL	CHIP	220nH	\pm 10%		
Q1	STN-2SC3356	TRANSISTOR NPN					
Q3	STN-2SC1623	TRANSISTOR NPN					
R1	RCP-AN51	FXD	CHIP	51 Ω	\pm 0.5%	1/10W	
R3	RCP-AJ51	FXD	CHIP	51 Ω	\pm 5%	1/10W	
R5	RCP-AJ390	FXD	CHIP	390 Ω	\pm 5%	1/10W	
R6	RCP-AJ51	FXD	CHIP	51 Ω	\pm 5%	1/10W	
R7	RCP-AJ5R6K	FXD	CHIP	5.6k Ω	\pm 5%	1/10W	
R8	RCP-AJ10K	FXD	CHIP	10k Ω	\pm 5%	1/10W	
R9	RCP-AN68	FXD	CHIP	68 Ω	\pm 0.5%	1/10W	
R10	RCP-AN130	FXD	CHIP	130 Ω	\pm 0.5%	1/10W	
R11	RCP-AN68	FXD	CHIP	68 Ω	\pm 0.5%	1/10W	
R12	RCP-AN4R3K	FXD	CHIP	4.3k Ω	\pm 0.5%	1/10W	
R13	RCP-AN2R7K	FXD	CHIP	2.7k Ω	\pm 0.5%	1/10W	
R14	RCP-AN1K	FXD	CHIP	1k Ω	\pm 0.5%	1/10W	
R15	RCP-AN1R2K	FXD	CHIP	1.2k Ω	\pm 0.5%	1/10W	
R16	RVR-DF100	VAR		100 Ω	\pm 20%	1/2W	
R17	RCP-AN16K	FXD	CHIP	16k Ω	\pm 0.5%	1/10W	
R18	RVR-DF2K	VAR		2k Ω	\pm 20%	1/2W	
R19	RCP-AN15K	FXD	CHIP	15k Ω	\pm 0.5%	1/10W	
R20	RCP-AN100K	FXD	CHIP	100k Ω	\pm 0.5%	1/10W	
U1	SIA-OP07PS	OP AMP VLTRA-LOW OFFSET					



* For X02
R14 1

5V



Q3
2SC1623

* For X02

R14 1.2KΩ



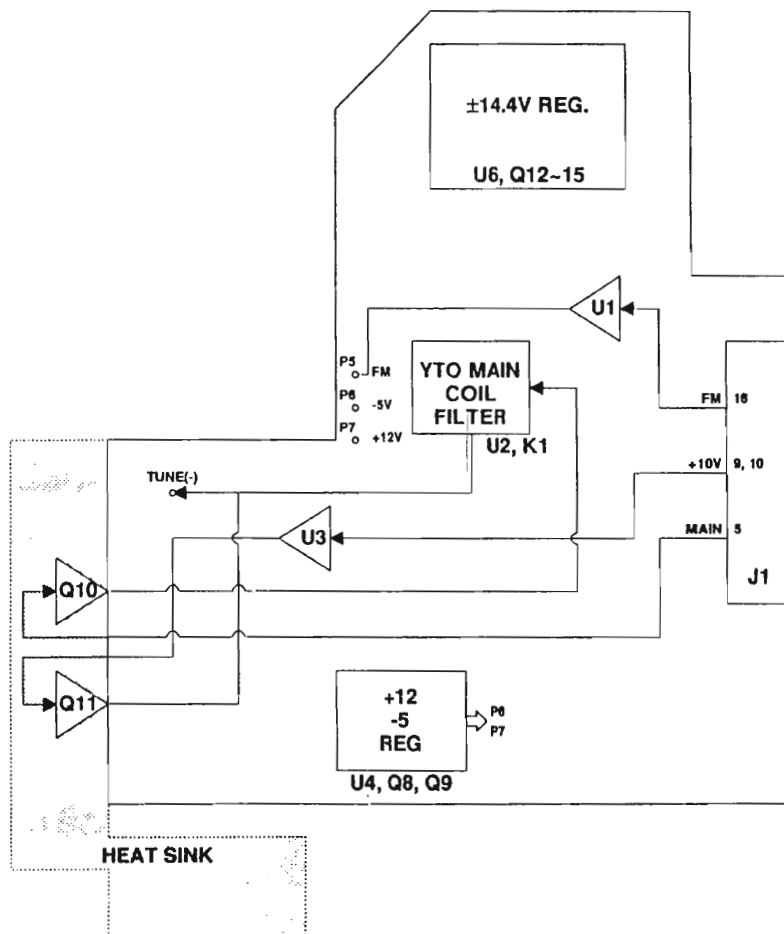
R3261/3361 CAL AMP
BLB-015646

R3261/3361
 YTO DRIVER
 BLQ-015647 (1/2)

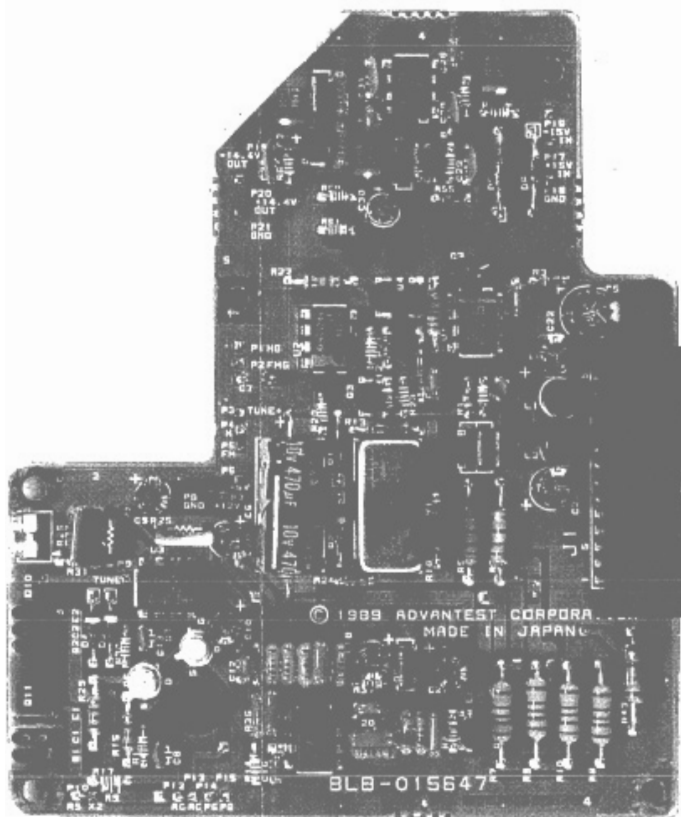
Parts No.	Advantest Stock No.	Description					Note
C1	CSM-AGR1U50V	FXD	CER	0.1μF	+80%, -20%	50V	
C2	CSM-AC33P50V	FXD	CER	33PF	±10%	50V	
C3	CFM-ASR047U50V	FXD	FILM	0.047μF	±10%	50V	
C4	CSM-AGR1U50V	FXD	CER	0.1μF	+80%, -20%	50V	
C5	CCK-AR100U25V	FXD	ELECT	100μF	±20%	25V	
C6	CCK-AA470U10V	FXD	ELECT	470μF	±20%	10V	
C8	CSM-AC1000P50V	FXD	CER	1000PF	±10%	50V	
C9	CCK-AR33U16V	FXD	ELECT	33μF	±20%	10V	
C10-11	CCK-AR10U25V	FXD	ELECT	10μF	±20%	25V	
C12	CSM-AGR1U50V	FXD	CER	0.1μF	+80%, -20%	50V	
C13	CSM-AC1000P50V	FXD	CER	1000PF	±10%	50V	
C14	CSM-AG1U50V	FXD	CER	1μF	+80%, -20%	50V	
C15-16	CSM-AGR1U50V	FXD	CER	0.1μF	+80%, -20%	50V	
C17	CSM-AG1U50V	FXD	CER	1μF	+80%, -20%	50V	
C18	CCK-AR10U25V	FXD	ELECT	10μF	±20%	25V	
C19-20	CSM-AG1U50V	FXD	CER	1μF	+80%, -20%	50V	
C21	CCK-AR10U25V	FXD	ELECT	10μF	±20%	25V	
C22- 23	CCK-AR47U25V	FXD	ELECT	47μF	±20%	25V	
C25	CTA-AC10U25V	FXD	TA	10μF	±20%	25V	
C26	CSM-AFR1U50V	FXD	CER	0.1μF	±5%	50V	
C27	CSM-AFR1U50V	FXD	CER	0.1μF	±5%	50V	
C28	CSM-BA2200P50V	FXD	CER	2200PF	±5%	50V	
C29	CSM-BA2200P50V	FXD	CER	2200PF	±5%	50V	
C30	CTA-AC10U25V	FXD	TA	10μF	±20%	25V	
C31	CSM-BA2200P50V	FXD	CER	2200PF	±5%	50V	
C32	CSM-BA2200P50V	FXD	CER	2200PF	±5%	50V	
C33	CTA-AC10U25V	FXD	TA	10μF	±20%	25V	
D1	SDZ-W130	ZENER	DIODE				
D2-4	SDS-LD1	DIODE	SI				
D5	SDZ-D120	ZENER	DIODE				
D6	SDZ-D056	ZENER	DIODE				
J1	JCR-AF026PX02	CONNECTOR					
L1-2	LCL-C00358	COIL	(CUSTOM DEVICE)				
Q1	STN-2SC2983	TRANSISTOR	NPN				
Q2	STP-2SA225	TRANSISTOR	PNP				
Q3	STN-2SC1815	TRANSISTOR	NPN				
Q6-7	SFN-2N4393-18	FET	N-JUNCTION				
Q8	STN-2SC2983	TRANSISTOR	NPN				
Q9	STP-2SA642-33	TRANSISTOR	PNP				
Q10-11	STN-2SC1983	TRANSISTOR	NPN				
Q12	STN-2SC1815	TRANSISTOR	NPN				
Q13	STP-2SA1225	TRANSISTOR	PNP				
Q14	STP-2SA1015	TRANSISTOR	PNP				
Q15	STN-2SC2983	TRANSISTOR	NPN				
R1	RCB-AG4R7K	FXD	CAR	4.7KΩ	±5%	1/8W	
R2	RCB-AK33	FXD	CAR	33Ω	±5%	1/2W	
R3	RCB-AG4R7K	FXD	CAR	4.7KΩ	±5%	1/8W	
R4	RMF-AR2R2KFK	FXD	METAL	2.2KΩ	±1%	1/4W	
R5	RCB-AK33	FXD	CAR	33Ω	±5%	1/2W	
R6	RCB-AG1K	FXD	CAR	1KΩ	±5%	1/8W	

R3261/3361
 YTO DRIVER
 BLQ-015647 (2/2)

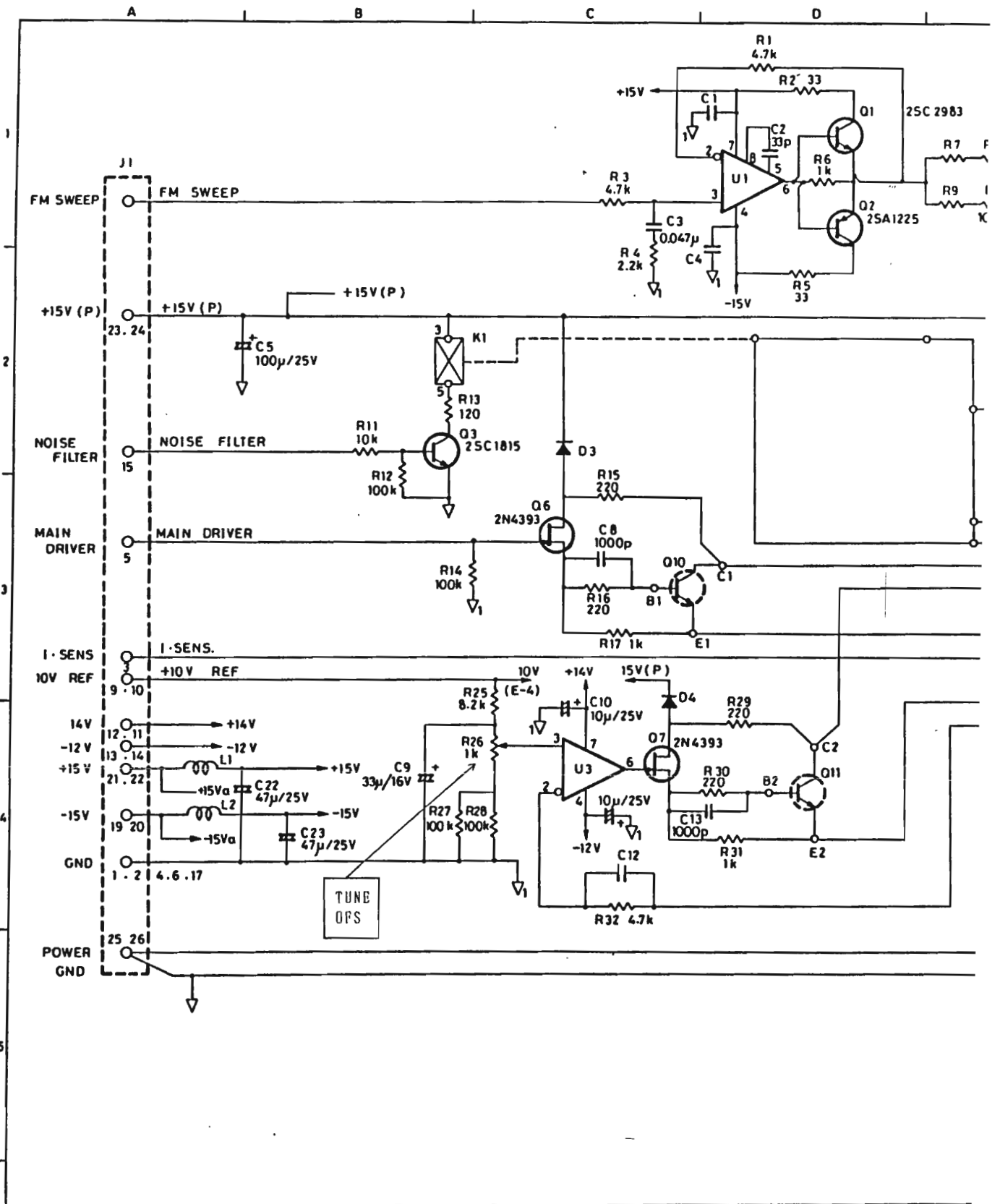
Parts No.	Advantest Stock No.	Description					Note
R7-9	RMF-AS100QFK	FXD	METAL	100Ω	±1%	1/2W	
R10	RMF-AS100QFK	FXD	METAL	100Ω	±1%	1/2W	
R11	RCB-AG10K	FXD	CAR	10KΩ	±5%	1/8W	
R12	RCB-AG100K	FXD	CAR	100KΩ	±5%	1/8W	
R13	RCB-AH120	FXD	CAR	120Ω	±5%	1/4W	
R14	RCB-AG100K	FXD	CAR	100KΩ	±5%	1/8W	
R15	RCB-AH220	FXD	CAR	220Ω	±5%	1/4W	
R16	RCB-AG220	FXD	CAR	220Ω	±5%	1/8W	
R17	RCB-AG1K	FXD	CAR	1KΩ	±5%	1/8W	
R25	RMF-AB8R2KFJ	FXD	METAL	8.2KΩ	±1%	1/4W	
R26	RVR-CD1K	VAR	CERMET	1KΩ	±20%	1/2W	
R27	RMF-AC100KFJ	FXD	METAL	100KΩ	±1%	1/4W	
R28	RMF-AB10KFG	FXD	METAL	10KΩ	±1%	1/4W	
R29	RCB-AH220	FXD	CAR	220Ω	±5%	1/4W	
R30	RCB-AG220	FXD	CAR	220Ω	±5%	1/8W	
R31	RCB-AG1K	FXD	CAR	1KΩ	±5%	1/8W	
R32	RCB-AG4R7K	FXD	CAR	4.7KΩ	±5%	1/8W	
R33-34	RMF-AC10KFJ	FXD	METAL	10KΩ	±1%	1/4W	
R35-36	RMF-AC12KFJ	FXD	METAL	12KΩ	±1%	1/4W	
R37	RCB-AG560	FXD	CAR	560Ω	±5%	1/8W	
R38-39	RMF-AC20KFJ	FXD	METAL	20KΩ	±1%	1/4W	
R40-41	RMF-AC10KFJ	FXD	METAL	10KΩ	±1%	1/4W	
R42	RCB-AG1K	FXD	CAR	1KΩ	±5%	1/8W	
R43	RCB-AK150	FXD	CAR	150Ω	±5%	1/8W	
R51-52	RPW-AC27-4	FXD	THERMAL	27Ω	±5%	10W	
R55	RCB-AG1R2K	FXD	CAR	1.2KΩ	±5%	1/8W	
R56	RCB-AG10K	FXD	CAR	10KΩ	±5%	1/8W	
R57	RCB-AG10K	FXD	CAR	10KΩ	±5%	1/8W	
R58	RCB-AG2R2K	FXD	CAR	2.2KΩ	±5%	1/8W	
R59	RCB-AG5R6K	FXD	CAR	5.6KΩ	±5%	1/8W	
R60	RVR-DF1K	VAR	CERMET	1KΩ	±20%	1/2W	
R61	RCB-AG3R3K	FXD	CAR	3.3KΩ	±5%	1/8W	
R62	RMF-AC10KFJ	FXD	METAL	10KΩ	±1%	1/4W	
R63	RMF-AC10KFJ	FXD	METAL	10KΩ	±1%	1/4W	
R64	RCB-AG2R2K	FXD	CAR	2.2KΩ	±5%	1/8W	
U1	SIA-5534A-1	OP AMP LOW NOISE, HIGH-SPEED, WIDE RANGE					
U3	SIA-OP07P	OP AMP LOW OFFSET					
U4	SIA-TL072-1	OP AMP DUAL LOW NOISE					
U5	SIA-TL072	OP AMP DUAL LOW NOISE					

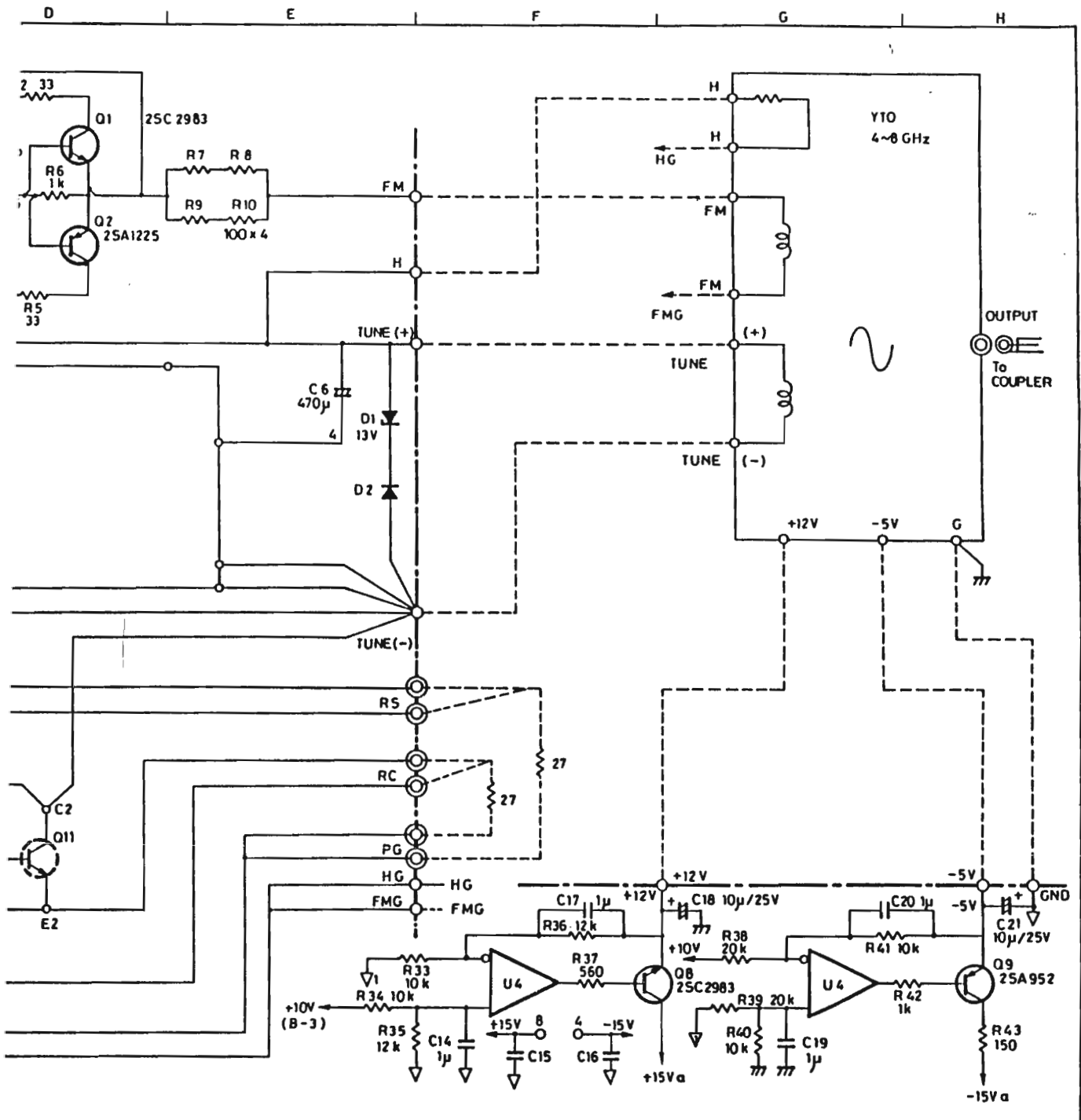


**CIRCUIT LAYOUT
YTO DRIVER
BLB-015647**

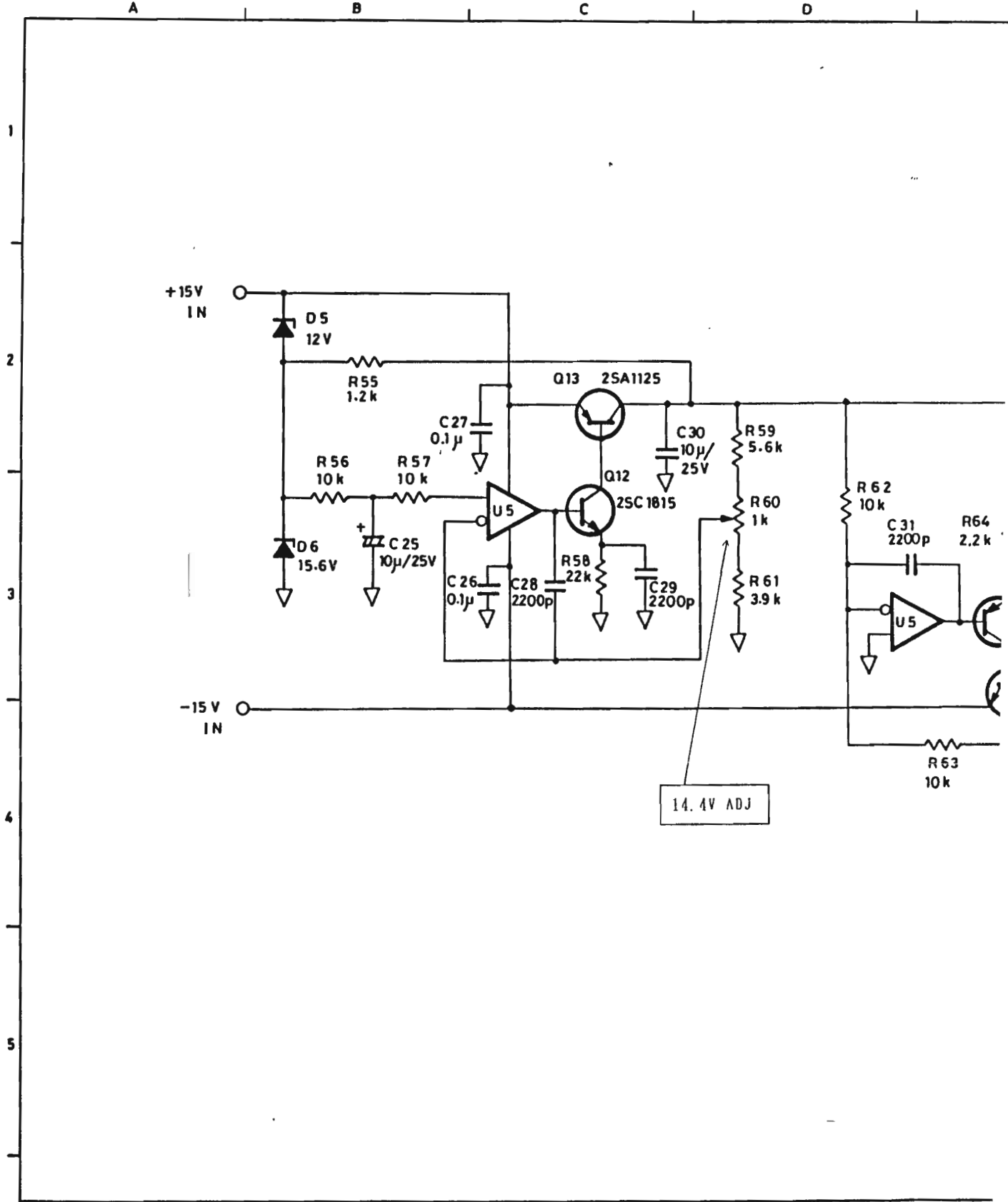


PARTS LOCATION
YTO DRIVER
BLB-015647





R3261/3361 YTO DRIVER
BLB-015647 1/2



14.4V ADJ

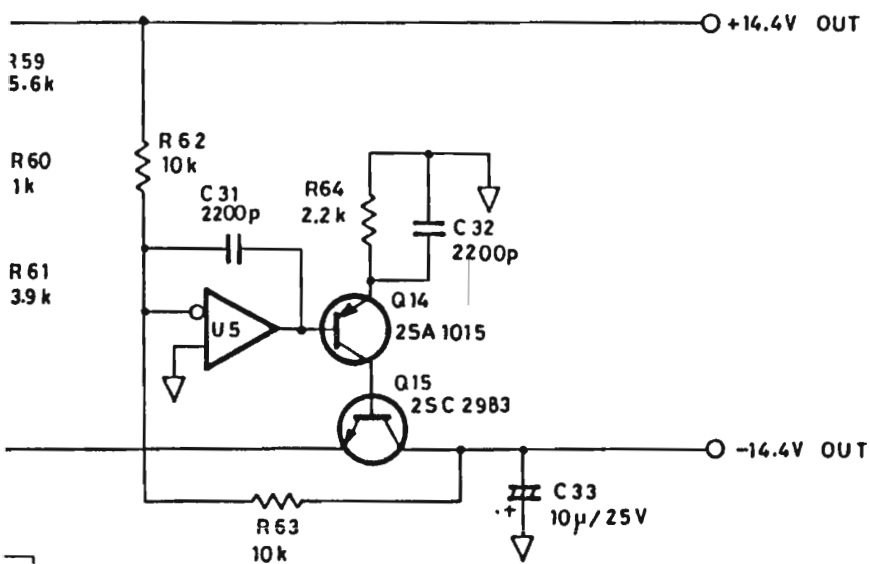
D

E

F

G

H

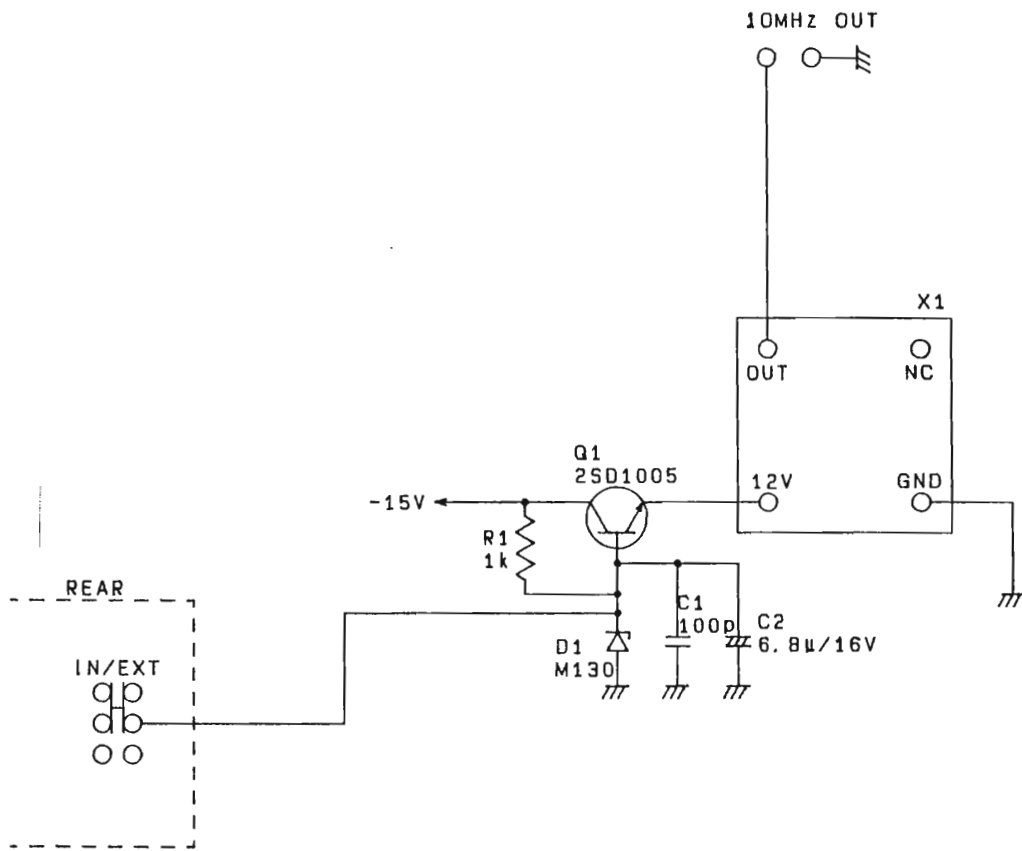


J

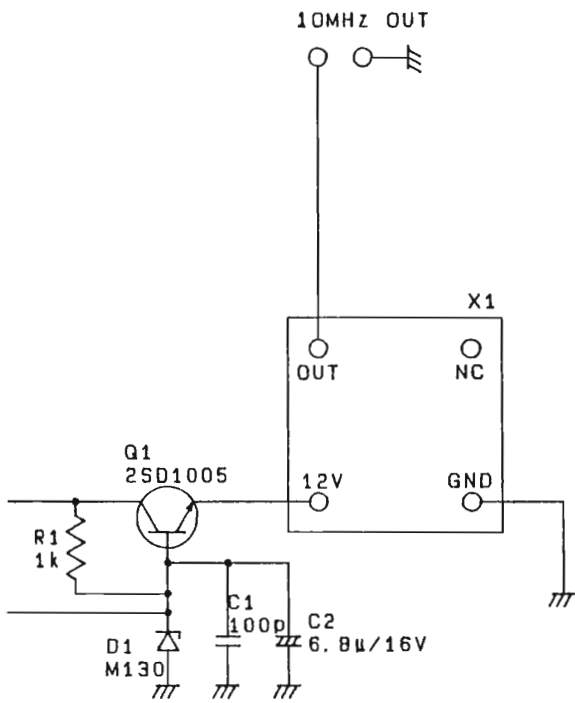
**R3261/3361 YTO DRIVER (REFERENCE
 BLB-015647 2/2 VOLTAGE)**

R3261/3361
 10MHZ REF.
 BLB-015727 (1/1)

Parts No.	Advantest Stock No.	Description	Note
C1	CCP-BA100P50V	FXD CHIP 100PF ±10% 50V	
C2	CTA-AZ6R8U16V	FXD TA 6.8μF ±20% 16V	
C3	CTA-AZ6R8U16V	FXD TA 6.8μF ±20% 16V	
D1	SDZ-M130	ZENER DIODE	
Q1	STN-2SD1005	TRANSISTOR NPN	
R1	RCP-AJ1K	FXD CHIP 1kΩ ±5% 1/10W	
X1	DXC-001524	CRYSTAL 10MHz	



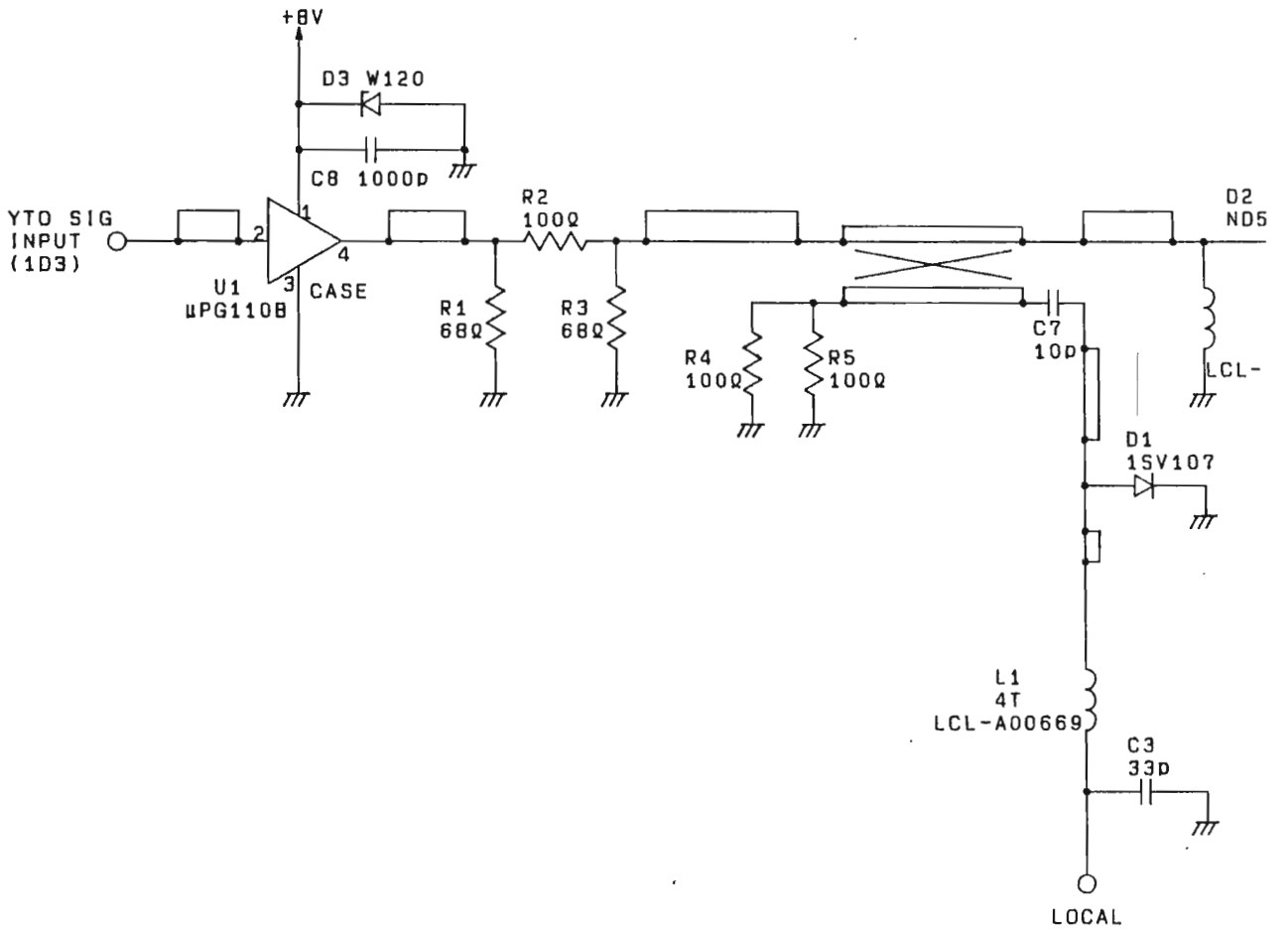
R3261/3
BLB-015

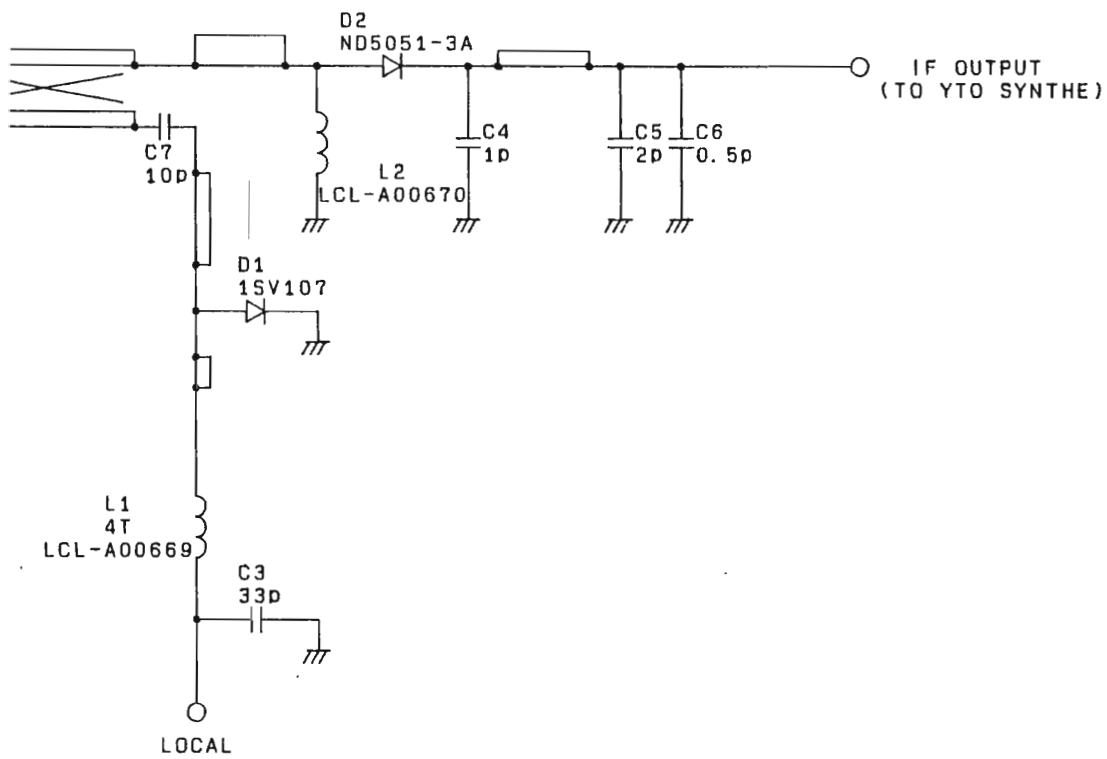


**R3261/3361 10MHz REF.
BLB-015727**

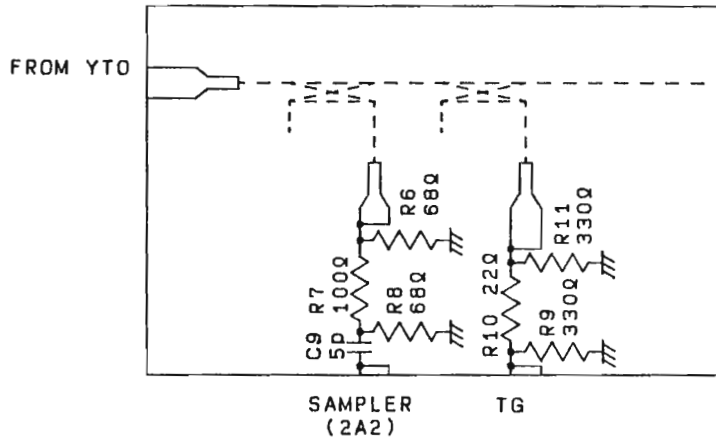
**R3261/3361
SAMPLER
BTB-016118 (1/1)**

Parts No.	Advantest Stock No.	Description	Note
C3	CCP-BA33P50V	FXD CHIP 33PF ± 5% 50V	
C4	CCP-BA2P50V	FXD CHIP 2PF ± 0.25% 50V	
C5	CCP-BA1P50V	FXD CHIP 1PF ± 0.25% 50V	
C6	CCP-ACR5P50V	FXD CHIP 0.5PF ± 0.25% 50V	
C7	CCP-BA10P50V	FXD CHIP 10PF ± 0.5% 50V	
C8	CCP-BA1000P50V	FXD CHIP 1000PF ± 10% 50V	
C9	CCP-BA5P50V	FXD CHIP 5PF ± 0.5% 50V	
D1	SDS-1SV107	Si Snap-off DIODE	
D2	SDS-ND5051	COAS SCHOTTKY BARRIER DIODE	
D3	SDZ-W120	ZENER DIODE	
L1	LCL-A00669	COIL (CUSTOM DEVICE)	
L2	LCL-A00670	COIL (CUSTOM DEVICE)	
R1	RCP-AJ68	FXD CHIP 68Ω 1/10W	
R2	RCP-AJ100	FXD CHIP 100Ω 1/10W	
R3	RCP-AJ68	FXD CHIP 68Ω 1/10W	
R4	RCP-AJ100	FXD CHIP 100Ω 1/10W	
R6	RCP-AJ68	FXD CHIP 68Ω 1/10W	
R7	RCP-AJ100	FXD CHIP 100Ω 1/10W	
R8	RCP-AJ68	FXD CHIP 68Ω 1/10W	
R9	RCP-AJ330	FXD CHIP 330Ω 1/10W	
R10	RCP-AJ22	FXD CHIP 22Ω 1/10W	
R11	RCP-AJ330	FXD CHIP 330Ω 1/10W	
U1	SIA-UPG110B-1	ISOLATION AMP (4 to 8GHz)	





R3261/3361 SAMPLER
BTB-016118 1/2



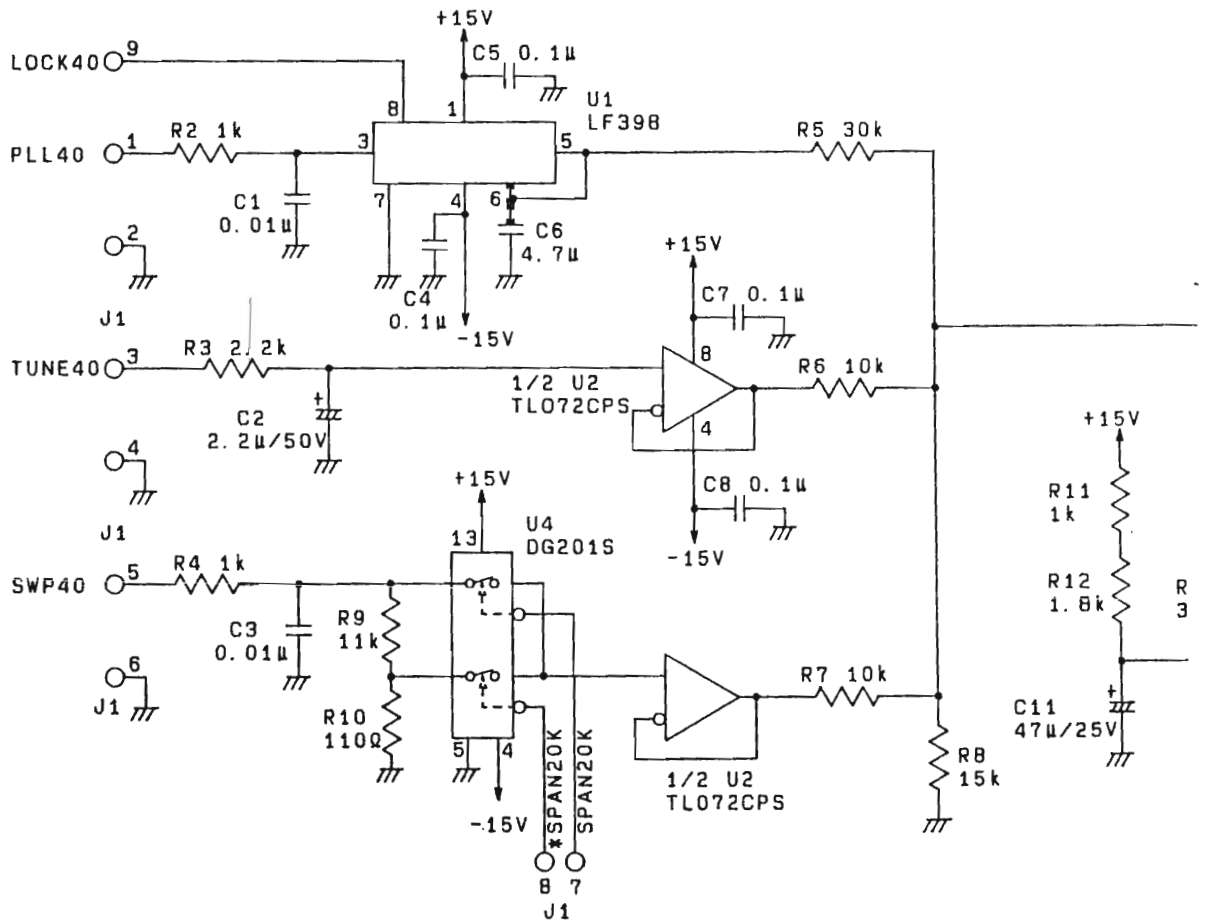
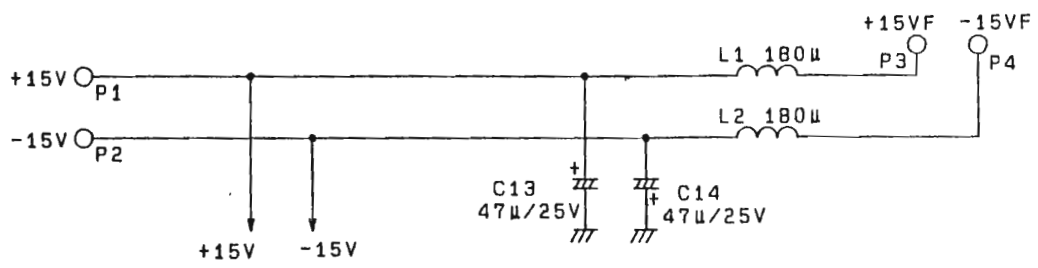
R3261/3361 SAMPLER
 BTB-016118 2/2

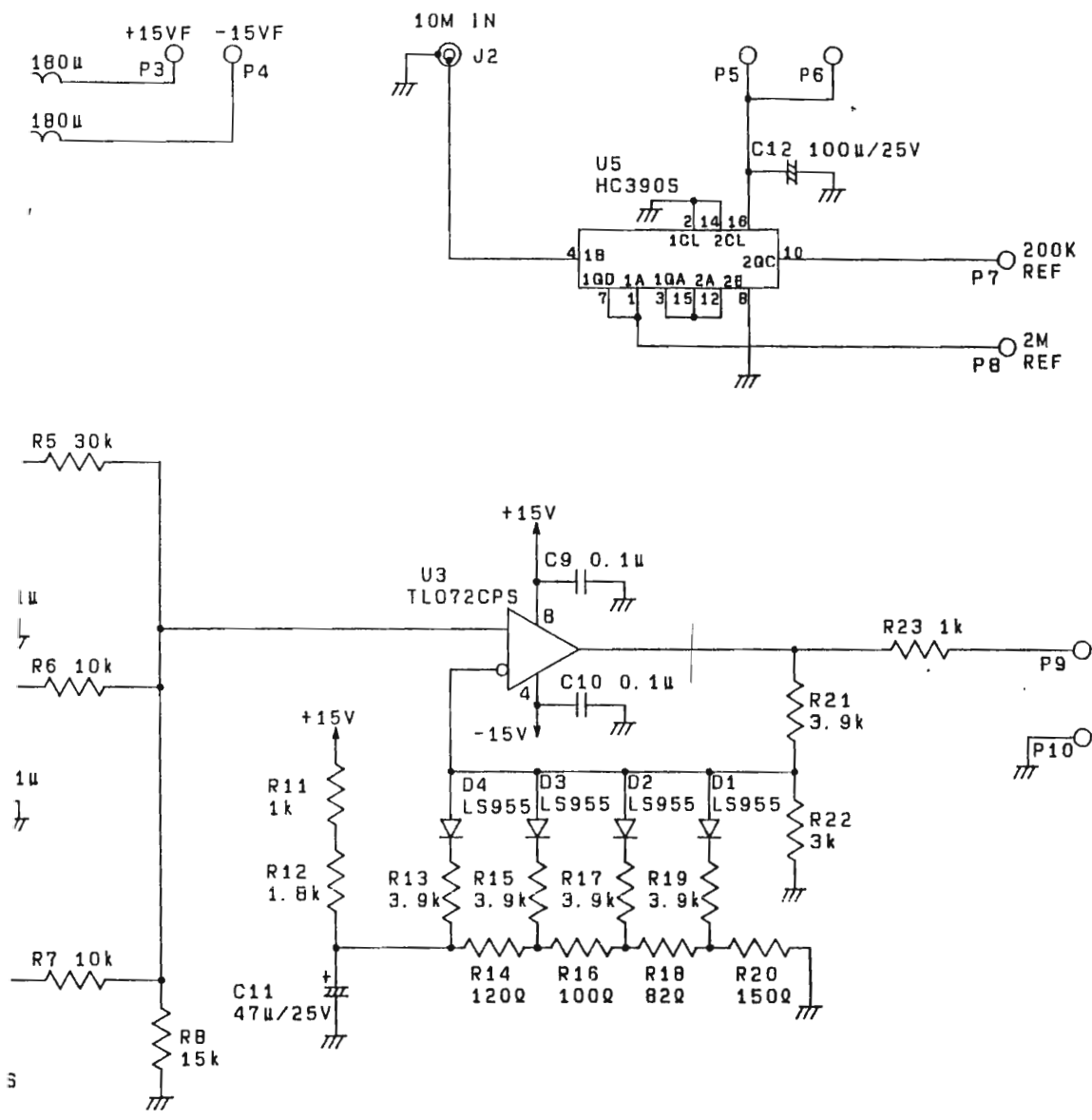
R3261/3361
VCO CONT
BLC-015650 (1/2)

Parts No.	Advantest Stock No.	Description	Note
C1	CCP-BAR01U50V	FXD CHIP 0.01 μ F \pm 10% 50V	
C2	CCK-BX2R2U50V	FXD ELECT 2.2 μ F \pm 20% 50V	
C3	CCP-BAR01U50V	FXD CHIP 0.01 μ F \pm 10% 50V	
C4	CCP-BBR1U50V	FXD CHIP 0.1 μ F +80%,-20% 50V	
C6	CFM-AH4R7U100V	FXD FILM 4.7 μ F \pm 10% 100V	
C7	CCP-BBR1U50V	FXD CHIP 0.1 μ F +80%,-20% 50V	
C11	CCK-BX47U35V	FXD ELECT 47 μ F \pm 20% 35V	
C12	CCK-BX100U25V	FXD ELECT 100 μ F \pm 20% 25V	
C13	CCK-BX47U35V	FXD ELECT 47 μ F \pm 20% 35V	
C14	CCK-BX47U35V	FXD ELECT 47 μ F \pm 20% 35V	
CB1	DCB-QS2104X02A-1	CABLE ASSEMBLY	
D1	SDS-LS955	ULTRA-HIGH SPEED SWITCHING DIODE	
J1	JCR-AF010PX02	CONNECTOR	
J2	JCF-BA001JX02-1	CONNECTOR	
L1	LCL-C00010	COIL 180 μ H \pm 10%	
L2	LCL-C00010	COIL 180 μ H \pm 10%	
R2	RCP-AN1K	FXD CHIP 1k Ω \pm 0.5% 1/10W	
R3	RCP-AN2R2K	FXD CHIP 2.2k Ω \pm 0.5% 1/10W	
R4	RCP-AN1K	FXD CHIP 1k Ω \pm 0.5% 1/10W	
R5	RCP-AN30K	FXD CHIP 30k Ω \pm 0.5% 1/10W	
R6	RCP-AN10K	FXD CHIP 10k Ω \pm 0.5% 1/10W	
R8	RCP-AN15K	FXD CHIP 15k Ω \pm 0.5% 1/10W	
R9	RCP-AN11K	FXD CHIP 11k Ω \pm 0.5% 1/10W	
R10	RCP-AN110	FXD CHIP 110 Ω \pm 0.5% 1/10W	
R11	RCP-AN1K	FXD CHIP 1k Ω \pm 0.5% 1/10W	
R12	RCP-AN1R8K	FXD CHIP 1.8k Ω \pm 0.5% 1/10W	
R13	RCP-AN3R9K	FXD CHIP 3.9k Ω \pm 0.5% 1/10W	
R14	RCP-AN120	FXD CHIP 120 Ω \pm 0.5% 1/10W	
R15	RCP-AN3R9K	FXD CHIP 3.9k Ω \pm 0.5% 1/10W	
R16	RCP-AN100	FXD CHIP 100 Ω \pm 0.5% 1/10W	
R17	RCP-AN3R9K	FXD CHIP 3.9k Ω \pm 0.5% 1/10W	
R18	RCP-AN82	FXD CHIP 82 Ω \pm 0.5% 1/10W	
R19	RCP-AN3R9K	FXD CHIP 3.9k Ω \pm 0.5% 1/10W	
R20	RCP-AN150	FXD CHIP 150 Ω \pm 0.5% 1/10W	
R21	RCP-AN3R9K	FXD CHIP 3.9k Ω \pm 0.5% 1/10W	
R22	RCP-AN3K	FXD CHIP 3k Ω \pm 0.5% 1/10W	
R23	RCP-AN1K	FXD CHIP 1k Ω \pm 0.5% 1/10W	
U1	SIA-398-2	Monolithic Sample and Hold Circuit	
U2	SIA-TL072CPS	OP AMP DUAL LOW NOISE	
U4	SIA-DG201S	QUAD ANALOG SWITCHES	

R3261/3361
VCO CONT
BLC-015650 (2/2)

Parts No.	Advantest Stock No.	Description	Note
U5	SIM-74HC390S	DUAL DECADE COUNTER	





**R3261/3361 VCO CONT
BLC-015650**

**R3261/3361
3RD CONV
BLG-015645 (1/8)**

Parts No.	Advantest Stock No.	Description					Note
C1	CCP-BA1000P50V	FXD	CHIP	1000PF	±10%	50V	
C2	CCP-BAR01U50V	FXD	CHIP	0.01 μ F	±10%	50V	
C4	CCP-BA1P50V	FXD	CHIP	1PF	±0.25PF	50V	
C5	CCP-BA7P50V	FXD	CHIP	7PF	±0.5PF	50V	
C6	CCP-BA100P50V	FXD	CHIP	100PF	±10%	50V	
C7	CCP-BAR01U50V	FXD	CHIP	0.01 μ F	±10%	50V	
C12	CCP-BAR01U50V	FXD	CHIP	0.01 μ F	±10%	50V	
C14	CCP-BAR01U50V	FXD	CHIP	0.01 μ F	±10%	50V	
C15	CCP-BA10P50V	FXD	CHIP	10PF	±0.5PF	50V	
C16	CCP-BAR01U50V	FXD	CHIP	0.01 μ F	±10%	50V	
C19	CCP-BA2200P50V	FXD	CHIP	2200PF	±20%	50V	
C20	CCK-BY22U25V	FXD	ELECT	22 μ F	±20%	25V	
C21	CCP-BAR01U50V	FXD	CHIP	0.01 μ F	±10%	50V	
C22	CTM-BM6P	VAR		6PF	+50%, -0%	100V	
C23	CCP-AT5PR1K	FXD	CHIP	5PF	±0.5PF	100V	
C24	CCP-AV220PR1K	FXD	CHIP	220PF	±1%	100V	
C25	CCP-BBR1U50V	FXD	CHIP	0.1 μ F	+80%, -20%	50V	
C26	CCP-AV120PR1K	FXD	CHIP	120PF	±2%	100V	
C27	CCP-AT33PR1K	FXD	CHIP	33PF	±5%	100V	
C28	CCP-BA1000P50V	FXD	CHIP	1000PF	±10%	50V	
C29	CCP-BA1000P50V	FXD	CHIP	1000PF	±10%	50V	
C30	CCP-BAR01U50V	FXD	CHIP	0.01 μ F	±10%	50V	
C31	CCP-BA1000P50V	FXD	CHIP	1000PF	±10%	50V	
C32	CCP-BA1000P50V	FXD	CHIP	1000PF	±10%	50V	
C34	CCP-BAR01U50V	FXD	CHIP	0.01 μ F	±10%	50V	
C35	CCP-AT15PR1K	FXD	CHIP	15PF	±10%	100V	
C37	CCP-BA1000P50V	FXD	CHIP	1000PF	±10%	50V	
C38	CCP-AT10PR1K	FXD	CHIP	10PF	±0.5PF	100V	
C39	CCP-BA1000P50V	FXD	CHIP	1000PF	±10%	50V	
C40	CCP-BAR01U50V	FXD	CHIP	0.01 μ F	±10%	50V	
C41	CCP-AT15PR1K	FXD	CHIP	15PF	±10%	100V	
C43	CCP-BA1000P50V	FXD	CHIP	1000PF	±10%	50V	
C49	CCP-BA1000P50V	FXD	CHIP	1000PF	±10%	50V	
C53	CCP-BA10P50V	FXD	CHIP	10PF	±0.5PF	50V	
C54	CCP-BA1000P50V	FXD	CHIP	1000PF	±10%	50V	
C55	CCP-AT15PR1K	FXD	CHIP	15PF	±10%	100V	
C57	CCP-BAR01U50V	FXD	CHIP	0.01 μ F	±10%	50V	
C59	CCP-BA33P50V	FXD	CHIP	33PF	±5%	50V	
C60	CCP-BA5P50V	FXD	CHIP	5PF	±0.5PF	50V	
C61	CCP-BA2P50V	FXD	CHIP	2PF	±0.25PF	50V	

**R3261/3361
3RD CONV
BLG-015645 (2/8)**

Parts No.	Advantest Stock No.	Description					Note
C62	CCP-BA33P50V	FXD	CHIP	33PF	±5%	50V	
C63	CCP-BA10P50V	FXD	CHIP	10PF	±0.5PF	50V	
C64	CCP-BA3P50V	FXD	CHIP	3PF	±0.25PF	50V	
C65	CTM-BM10P	VAR		10PF	+50%, -0%	100V	
C66	CCP-BA33P50V	FXD	CHIP	33PF	±5%	50V	
C67	CCP-BA10P50V	FXD	CHIP	10PF	±0.5PF	50V	
C68	CCP-BA33P50V	FXD	CHIP	33PF	±5%	50V	
C69	CCP-BA5P50V	FXD	CHIP	5PF	±0.5PF	50V	
C70	CCP-BA1000P50V	FXD	CHIP	1000PF	±10%	50V	
C71	CCP-BA2P50V	FXD	CHIP	2PF	±0.25PF	50V	
C72	CCK-BX22U25V	FXD	ELECT	22 μ F	±20%	25V	
C74	CCK-BX22U25V	FXD	ELECT	22 μ F	±20%	25V	
C75	CCP-BAR01U50V	FXD	CHIP	0.01 μ F	±10%	50V	
C76	CCP-BAR01U50V	FXD	CHIP	0.01 μ F	±10%	50V	
C77	CCP-BAR01U50V	FXD	CHIP	0.01 μ F	±10%	50V	
C78	CCP-BAR01U50V	FXD	CHIP	0.01 μ F	±10%	50V	
C80	CCP-BAR01U50V	FXD	CHIP	0.01 μ F	±10%	50V	
C83	CCP-BA1000P50V	FXD	CHIP	1000PF	±10%	50V	
C84	CCP-BAR01U50V	FXD	CHIP	0.01 μ F	±10%	50V	
C85	CCP-BA1000P50V	FXD	CHIP	1000PF	±10%	50V	
C86	CCP-BAR01U50V	FXD	CHIP	0.01 μ F	±10%	50V	
C90	CCP-BAR01U50V	FXD	CHIP	0.01 μ F	±10%	50V	
C92	CCP-BAR01U50V	FXD	CHIP	0.01 μ F	±10%	50V	
C93	CCP-BAR01U50V	FXD	CHIP	0.01 μ F	±10%	50V	
C94	CCP-BA1000P50V	FXD	CHIP	1000PF	±10%	50V	
C95	CCP-BA100P50V	FXD	CHIP	100PF	±10%	50V	
C96	CCP-BAR01U50V	FXD	CHIP	0.01 μ F	±10%	50V	
C100	CCK-BX10U25V	FXD	ELECT	10 μ F	±20%	25V	
C101	CCP-BAR01U50V	FXD	CHIP	0.01 μ F	±10%	50V	
C102	CCP-BA100P50V	FXD	CHIP	100PF	±10%	50V	
C104	CCP-BAR01U50V	FXD	CHIP	0.01 μ F	±10%	50V	
C105	CCP-BAR01U50V	FXD	CHIP	0.01 μ F	±10%	50V	
C106	CCP-BA100P50V	FXD	CHIP	100PF	±10%	50V	
C107	CCP-BAR01U50V	FXD	CHIP	0.01 μ F	±10%	50V	
C114	CSM-AH2R2U50V	FXD	CER	2.2 μ F	+80%, -20%	50V	
C115	CCP-BAR01U50V	FXD	CHIP	0.01 μ F	±10%	50V	
C117	CCK-BX22U25V	FXD	ELECT	22 μ F	±20%	25V	
C119	CCK-BY330U10V	FXD	ELECT	330 μ F	±20%	10V	
C120	CCP-BBR1U50V	FXD	CHIP	0.1 μ F	+80%, -20%	50V	
C122	CCP-BA1000P50V	FXD	CHIP	1000PF	±10%	50V	

**R3261/3361
3RD CONV
BLG-015645 (3/8)**

Parts No.	Advantest Stock No.	Description					Note
C123	CCP-BA1000P50V	FXD	CHIP	1000PF	±10%	50V	
C125	CCK-BX100U25V	FXD	ELECT	100 μ F	±20%	25V	
C126	CCK-BX100U25V	FXD	ELECT	100 μ F	±20%	25V	
C127	CCK-BX100U10V	FXD	ELECT	100 μ F	±20%	10V	
C128	CTA-AC3R3U16V	FXD	TA	3.3 μ F	±20%	16V	
C129	CTA-AC3R3U16V	FXD	TA	3.3 μ F	±20%	16V	
C130	CCP-BBR1U50V	FXD	CHIP	0.1 μ F	+80%, -20%	50V	
C131	CCK-BY330U10V	FXD	ELECT	330 μ F	±20%	10V	
C132	CCP-BBR1U50V	FXD	CHIP	0.1 μ F	+80%, -20%	50V	
C135	CFM-AHR68U100V	FXD	FILM	0.68 μ F	±10%	100V	
C136	CFM-ASR022U50V	FXD	FILM	0.022 μ F	±10%	50V	
C137	CCP-BBR1U50V	FXD	CHIP	0.1 μ F	+80%, -20%	50V	
C138	CCP-BBR1U50V	FXD	CHIP	0.1 μ F	+80%, -20%	50V	
C140	CCP-BA15P50V	FXD	CHIP	15PF	±5%	50V	
C152	CCP-AW470PR1K	FXD	CHIP	470PF	±1%	100V	
C153	CCP-AV120PR1K	FXD	CHIP	120PF	±2%	100V	
D1	SDS-1SV34	SI PIN DIODE					
D2	SDS-1S2208-2	BURR CAP DIODE					
D3	SDS-LS955	ULTRA-HIGH SPEED SWITCHING DIODE					
D8	SDS-1SS97	Si SCHOTTKY DIODE UHF MIXER					
D15	SDS-LS955	ULTRA-HIGH SPEED SWITCHING DIODE					
E1	YEE-000265	SHORT CONNECTOR					
FB1	DEE-001484	FERRITE CORE					
FB3	ESM-000129	FERRITE CORE					
FB4	DEE-001484	FERRITE CORE					
FB10	ESM-000129	FERRITE CORE					
FL1	DNF-000835	D.P.F 400MHz					
J1	JCP-AA003PX05	CONNECTOR					
J4	JCF-BA001JX01	CONNECTOR					
J7	JCP-AA003PX05	CONNECTOR					
J8	JCF-BA001JX01	CONNECTOR					
J10	JCF-BA001JX01	CONNECTOR					
J11	JCF-BA001JX01	CONNECTOR					
L1	LCL-E00940	COIL	CHIP	100nH	±10%		
L2	LCL-E00338	COIL (CUSTOM DEVICE)					
L3	LCL-E00936	COIL	CHIP	47nH	±20%		
L4	LCL-E00942	COIL	CHIP	150nH	±10%		
L6	LCL-E00960	COIL	CHIP	4.7 μ H	±20%		
L7	LCL-E00960	COIL	CHIP	4.7 μ H	±20%		
L8	LCL-C00102	COIL (CUSTOM DEVICE)					

R3261/3361
3RD CONV
BLG-015645 (4/8)

Parts No.	Advantest Stock No.	Description				Note
L9	LCL-E00388	COIL		(CUSTOM DEVICE)		
L10	LCL-A00063	COIL		(CUSTOM DEVICE)		
L11	LCL-E00953	COIL	CHIP	1.2 μ H \pm 20%		
L13	LCL-A00065	COIL		(CUSTOM DEVICE)		
L14	LCL-A00064	COIL		(CUSTOM DEVICE)		
L16	LCL-E00389	COIL		(CUSTOM DEVICE)		
L18	LCL-E00937	COIL	CHIP	5.6nH \pm 20%		
L23	LCL-E00389	COIL		(CUSTOM DEVICE)		
L25	LCL-E00937	COIL	CHIP	5.6nH \pm 20%		
L26	LCL-A00066	COIL		(CUSTOM DEVICE)		
L27	LCL-C01049	COIL		(CUSTOM DEVICE)		
L31	LCL-A00066	COIL		(CUSTOM DEVICE)		
L32	LCL-C00010	COIL		180 μ H \pm 10%		
L35	LCL-E00389	COIL		(CUSTOM DEVICE)		
L36	LCL-C00329	COIL		(CUSTOM DEVICE)		
L40	LCL-C00010	COIL		180 μ H \pm 10%		
L42	LCL-E00948	COIL	CHIP	0.39 μ H \pm 20%		
L45	LCL-E00484	COIL		(CUSTOM DEVICE)		
L46	LCL-E00389	COIL		(CUSTOM DEVICE)		
M1	DEE-000736	DOUBLE BALANCE MIXER				
Q1	STN-2SC3356	TRANSISTOR		NPN		
Q4	STN-2SC2757	TRANSISTOR		NPN		
Q6	STP-2SA812	TRANSISTOR		PNP		
Q7	STN-2SC3356	TRANSISTOR		NPN		
Q8	STN-2SC3356	TRANSISTOR		NPN		
Q13	STN-2SC2757	TRANSISTOR		NPN		
Q21	STN-2SC1254	TRANSISTOR		NPN		
Q22	STP-2SA711	TRANSISTOR		PNP		
Q24	STN-2SC1254	TRANSISTOR		NPN		
Q25	STN-2SC1959	TRANSISTOR		NPN		
Q30	STN-2SC1254	TRANSISTOR		NPN		
Q31	STP-2SA711	TRANSISTOR		PNP		
Q33	STN-2SC1254	TRANSISTOR		NPN		
Q34	STN-2SC1959	TRANSISTOR		NPN		
R1	RCP-AJ10K	FXD	CHIP	10k Ω \pm 5%	1/10W	
R2	RCP-AJ3R3K	FXD	CHIP	3.3k Ω \pm 5%	1/10W	
R3	RCP-AJ33	FXD	CHIP	33 Ω \pm 5%	1/10W	
R4	RCP-AH220	FXD	CHIP	220 Ω \pm 5%	1/8W	
R5	RCP-AJ33	FXD	CHIP	33 Ω \pm 5%	1/10W	
R6	RCP-AH330	FXD	CHIP	330 Ω \pm 5%	1/8W	

R3261/3361
3RD CONV
BLG-015645 (5/8)

Parts No.	Advantest Stock No.	Description					Note
R7	RCP-AJ56	FXD	CHIP	56 Ω	$\pm 5\%$	1/10W	
R17	RCP-AJ10K	FXD	CHIP	10k Ω	$\pm 5\%$	1/10W	
R18	RCP-AJ5R6K	FXD	CHIP	5.6k Ω	$\pm 5\%$	1/10W	
R19	RCP-AJ33	FXD	CHIP	33 Ω	$\pm 5\%$	1/10W	
R20	REE-AT422S47	METAL	FLM	4200ppm/°C	47 Ω	1/8W	
R21	RCP-AJ220	FXD	CHIP	220 Ω	$\pm 5\%$	1/10W	
R22	RCP-AJ10K	FXD	CHIP	10k Ω	$\pm 5\%$	1/10W	
R23	RCP-AJ5R6K	FXD	CHIP	5.6k Ω	$\pm 5\%$	1/10W	
R24	RCP-AJ33	FXD	CHIP	33 Ω	$\pm 5\%$	1/10W	
R25	RCP-AJ220	FXD	CHIP	220 Ω	$\pm 5\%$	1/10W	
R26	RCP-AH680	FXD	CHIP	680 Ω	$\pm 5\%$	1/8W	
R28	RVR-DF20	VAR		20 Ω	$\pm 20\%$	1/2W	
R29	RCP-AJ4R7K	FXD	CHIP	4.7k Ω	$\pm 5\%$	1/10W	
R30	RCP-AJ3R3K	FXD	CHIP	3.3k Ω	$\pm 5\%$	1/10W	
R31	RCP-AJ560	FXD	CHIP	560 Ω	$\pm 5\%$	1/10W	
R32	RCP-AJ470	FXD	CHIP	470 Ω	$\pm 5\%$	1/10W	
R33	RCP-AJ150	FXD	CHIP	150 Ω	$\pm 5\%$	1/10W	
R35	RCP-AJ100	FXD	CHIP	100 Ω	$\pm 5\%$	1/10W	
R36	RCP-AJ4R7K	FXD	CHIP	4.7k Ω	$\pm 5\%$	1/10W	
R37	RCP-AJ4R7K	FXD	CHIP	4.7k Ω	$\pm 5\%$	1/10W	
R38	RCP-AJ680	FXD	CHIP	680 Ω	$\pm 5\%$	1/10W	
R41	RCP-AJ150	FXD	CHIP	150 Ω	$\pm 5\%$	1/10W	
R42	RCP-AJ39	FXD	CHIP	39 Ω	$\pm 5\%$	1/10W	
R43	RCP-AJ150	FXD	CHIP	150 Ω	$\pm 5\%$	1/10W	
R44	RCP-AJ5R6K	FXD	CHIP	5.6k Ω	$\pm 5\%$	1/10W	
R45	RCP-AJ3R3K	FXD	CHIP	3.3k Ω	$\pm 5\%$	1/10W	
R46	RCP-AH330	FXD	CHIP	330 Ω	$\pm 5\%$	1/8W	
R47	RCP-AJ150	FXD	CHIP	150 Ω	$\pm 5\%$	1/10W	
R48	RCP-AJ39	FXD	CHIP	39 Ω	$\pm 5\%$	1/10W	
R49	RCP-AJ150	FXD	CHIP	150 Ω	$\pm 5\%$	1/10W	
R50	RCP-AJ3R3K	FXD	CHIP	3.3k Ω	$\pm 5\%$	1/10W	
R51	RCP-AJ5R6K	FXD	CHIP	5.6k Ω	$\pm 5\%$	1/10W	
R52	RCP-AH330	FXD	CHIP	330 Ω	$\pm 5\%$	1/8W	
R53	RCP-AJ150	FXD	CHIP	150 Ω	$\pm 5\%$	1/10W	
R54	RCP-AJ39	FXD	CHIP	39 Ω	$\pm 5\%$	1/10W	
R55	RCP-AJ150	FXD	CHIP	150 Ω	$\pm 5\%$	1/10W	
R56	RCP-AJ470	FXD	CHIP	470 Ω	$\pm 5\%$	1/10W	
R57	RCB-AG5R6	FXD	CAR	5.6 Ω	$\pm 5\%$	1/6W	
R60	RCP-AJ22	FXD	CHIP	22 Ω	$\pm 5\%$	1/10W	
R61	RCP-AJ10	FXD	CHIP	10 Ω	$\pm 5\%$	1/10W	

**R3261/3361
3RD CONV
BLG-015645 (6/8)**

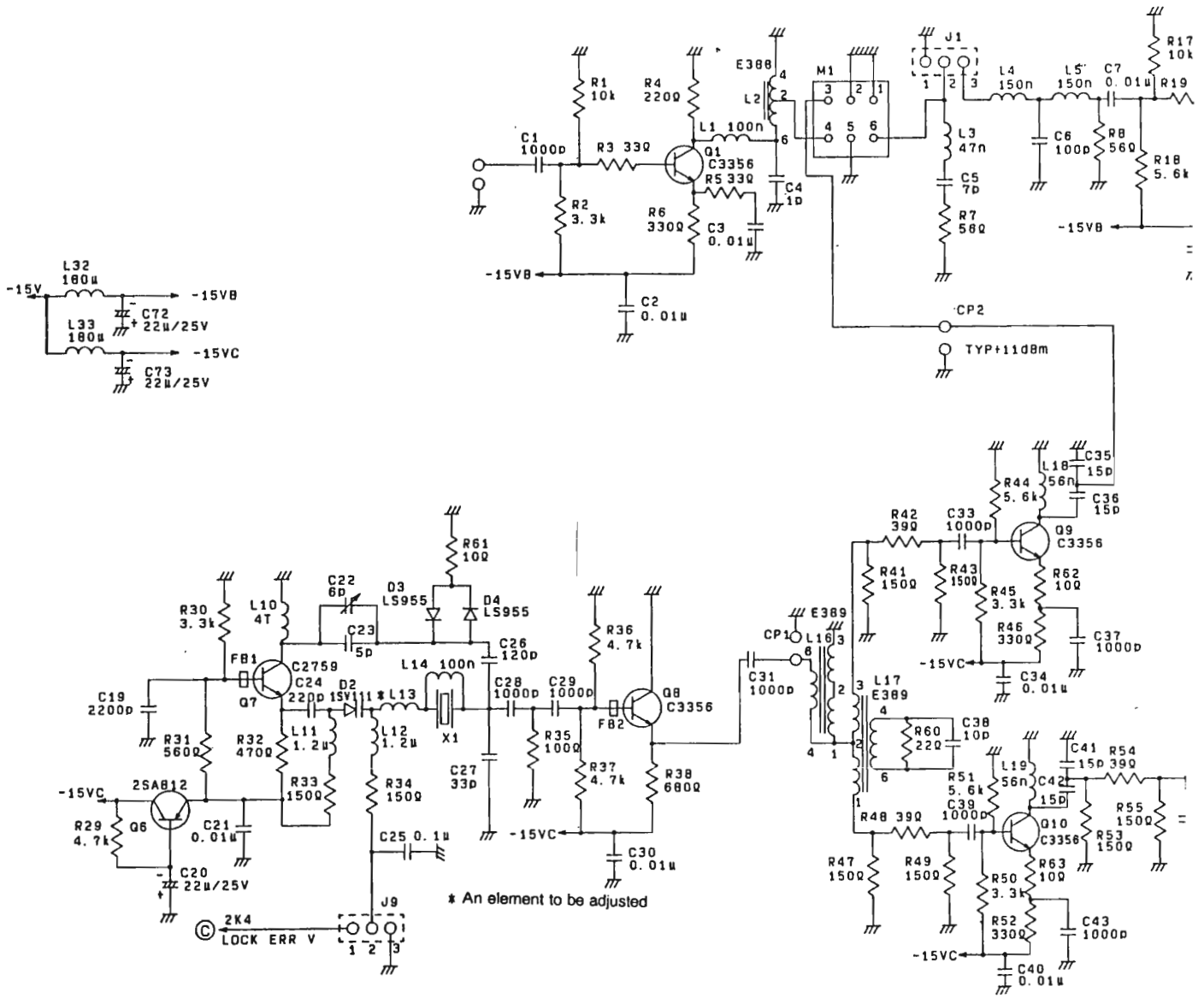
Parts No.	Advantest Stock No.	Description					Note
R62	RCP-AJ10	FXD	CHIP	10 Ω	$\pm 5\%$	1/10W	
R69	RCP-AJ330	FXD	CHIP	330 Ω	$\pm 5\%$	1/10W	
R70	RCP-AJ22	FXD	CHIP	22 Ω	$\pm 5\%$	1/10W	
R71	RCP-AJ330	FXD	CHIP	330 Ω	$\pm 5\%$	1/10W	
R72	RCP-AJ22	FXD	CHIP	22 Ω	$\pm 5\%$	1/10W	
R73	RCP-AJ330	FXD	CHIP	330 Ω	$\pm 5\%$	1/10W	
R74	RCP-AJ22	FXD	CHIP	22 Ω	$\pm 5\%$	1/10W	
R75	RCP-AJ330	FXD	CHIP	330 Ω	$\pm 5\%$	1/10W	
R76	RCP-AJ3R3K	FXD	CHIP	3.3k Ω	$\pm 5\%$	1/10W	
R77	RCP-AJ5R6K	FXD	CHIP	5.6k Ω	$\pm 5\%$	1/10W	
R78	RCP-AH330	FXD	CHIP	330 Ω	$\pm 5\%$	1/8W	
R79	RCP-AJ330	FXD	CHIP	330 Ω	$\pm 5\%$	1/10W	
R80	RCP-AJ22	FXD	CHIP	22 Ω	$\pm 5\%$	1/10W	
R81	RCP-AJ330	FXD	CHIP	330 Ω	$\pm 5\%$	1/10W	
R82	RCP-AH510	FXD	CHIP	510 Ω	$\pm 5\%$	1/8W	
R83	RCP-AJ22	FXD	CHIP	22 Ω	$\pm 5\%$	1/10W	
R85	RCP-AJ220	FXD	CHIP	220 Ω	$\pm 5\%$	1/10W	
R86	RCP-AJ22	FXD	CHIP	22 Ω	$\pm 5\%$	1/10W	
R87	RCP-AJ220	FXD	CHIP	220 Ω	$\pm 5\%$	1/10W	
R89	RCP-AJ100	FXD	CHIP	100 Ω	$\pm 5\%$	1/10W	
R90	RCP-AJ10K	FXD	CHIP	10k Ω	$\pm 5\%$	1/10W	
R93	RCP-AJ22	FXD	CHIP	22 Ω	$\pm 5\%$	1/10W	
R94	RCP-AH1K	FXD	CHIP	1k Ω	$\pm 5\%$	1/8W	
R95	RCP-AJ68	FXD	CHIP	68 Ω	$\pm 5\%$	1/10W	
R97	RCP-AJ22	FXD	CHIP	22 Ω	$\pm 5\%$	1/10W	
R98	RCP-AJ330	FXD	CHIP	330 Ω	$\pm 5\%$	1/10W	
R99	RCP-AH330	FXD	CHIP	330 Ω	$\pm 5\%$	1/8W	
R100	RCP-AH1R2K	FXD	CHIP	1.2k Ω	$\pm 5\%$	1/8W	
R102	RCP-AJ1K	FXD	CHIP	1k Ω	$\pm 5\%$	1/10W	
R103	RCP-AJ470	FXD	CHIP	470 Ω	$\pm 5\%$	1/10W	
R105	RCP-AJ1K	FXD	CHIP	1k Ω	$\pm 5\%$	1/10W	
R106	RCP-AJ680	FXD	CHIP	680 Ω	$\pm 5\%$	1/10W	
R107	RCP-AJ22	FXD	CHIP	22 Ω	$\pm 5\%$	1/10W	
R109	RCP-AH2R2K	FXD	CHIP	2.2k Ω	$\pm 5\%$	1/8W	
R110	RCP-AJ1K	FXD	CHIP	1k Ω	$\pm 5\%$	1/10W	
R111	RCP-AJ51	FXD	CHIP	51 Ω	$\pm 5\%$	1/10W	
R112	RCP-AJ680	FXD	CHIP	680 Ω	$\pm 5\%$	1/10W	
R113	RCP-AJ33	FXD	CHIP	33 Ω	$\pm 5\%$	1/10W	
R115	RCP-AH2R2K	FXD	CHIP	2.2k Ω	$\pm 5\%$	1/8W	
R116	RCP-AJ150	FXD	CHIP	150 Ω	$\pm 5\%$	1/10W	

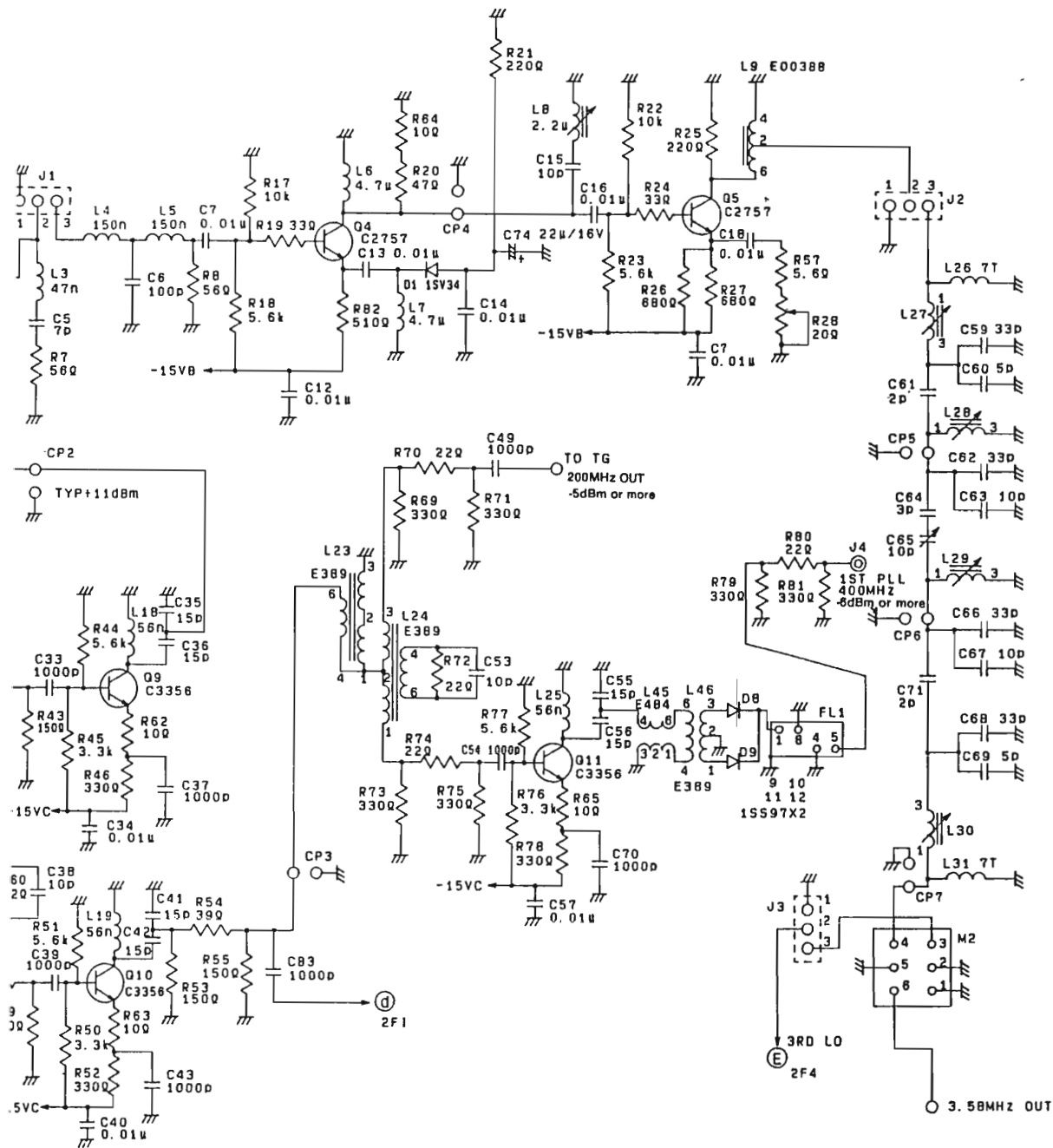
**R3261/3361
3RD CONV
BLG-015645 (7/8)**

Parts No.	Advantest Stock No.	Description					Note
R117	RCP-AJ51	FXD	CHIP	51 Ω	$\pm 5\%$	1/10W	
R118	RCP-AJ5R6K	FXD	CHIP	5.6k Ω	$\pm 5\%$	1/10W	
R119	RCP-AJ10K	FXD	CHIP	10k Ω	$\pm 5\%$	1/10W	
R120	RCP-AJ33	FXD	CHIP	33 Ω	$\pm 5\%$	1/10W	
R121	RCP-AJ1K	FXD	CHIP	1k Ω	$\pm 5\%$	1/10W	
R122	RCP-AJ22	FXD	CHIP	22 Ω	$\pm 5\%$	1/10W	
R123	RCP-AH470	FXD	CHIP	470 Ω	$\pm 5\%$	1/8W	
R124	RCP-AN2R2K	FXD	CHIP	2.2k Ω	$\pm 0.5\%$	1/10W	
R126	RCP-AN1K	FXD	CHIP	1k Ω	$\pm 0.5\%$	1/10W	
R129	RCP-AN18K	FXD	CHIP	18k Ω	$\pm 0.5\%$	1/10W	
R130	RCP-AN1K	FXD	CHIP	1k Ω	$\pm 0.5\%$	1/10W	
R131	RCP-AN100	FXD	CHIP	100 Ω	$\pm 0.5\%$	1/10W	
R133	RCP-AN5R6K	FXD	CHIP	5.6k Ω	$\pm 0.5\%$	1/10W	
R134	RCP-AJ4R7K	FXD	CHIP	4.7k Ω	$\pm 5\%$	1/10W	
R135	RCP-AJ4R7K	FXD	CHIP	4.7k Ω	$\pm 5\%$	1/10W	
R136	RCB-AG1R8K	FXD	CAR	1.8k Ω	$\pm 5\%$	1/8W	
R137	RCP-AJ1R2K	FXD	CHIP	1.2k Ω	$\pm 5\%$	1/10W	
R138	RVR-DF2K	VAR		2k Ω	$\pm 20\%$	1/2W	
R140	RCP-AJ1K	FXD	CHIP	1k Ω	$\pm 5\%$	1/10W	
R141	RCP-AJ470	FXD	CHIP	470 Ω	$\pm 5\%$	1/10W	
R142	RCP-AJ470	FXD	CHIP	470 Ω	$\pm 5\%$	1/10W	
R143	RCP-AJ51	FXD	CHIP	51 Ω	$\pm 5\%$	1/10W	
R145	RCP-AN750	FXD	CHIP	750 Ω	$\pm 0.5\%$	1/10W	
R146	RCP-AN750	FXD	CHIP	750 Ω	$\pm 0.5\%$	1/10W	
R147	RCP-AN560	FXD	CHIP	560 Ω	$\pm 0.5\%$	1/10W	
R148	RCP-AN1K	FXD	CHIP	1k Ω	$\pm 0.5\%$	1/10W	
R149	RCP-AN560	FXD	CHIP	560 Ω	$\pm 0.5\%$	1/10W	
R150	RCP-AN1K	FXD	CHIP	1k Ω	$\pm 0.5\%$	1/10W	
R151	RCP-AN8R2K	FXD	CHIP	8.2k Ω	$\pm 0.5\%$	1/10W	
R152	RCP-AN2R7K	FXD	CHIP	2.7k Ω	$\pm 0.5\%$	1/10W	
R153	RCP-AJ1R8K	FXD	CHIP	1.8k Ω	$\pm 5\%$	1/10W	
R154	RCP-AJ1K	FXD	CHIP	1k Ω	$\pm 5\%$	1/10W	
R155	RVR-DF2K	VAR		2k Ω	$\pm 20\%$	1/2W	
R156	RCB-AG47	FXD	CAR	47 Ω	$\pm 5\%$	1/8W	
TP1	MBM-10372A-1	TEST PIN					
TP3	MBM-10372A-1	TEST PIN					
U1	SIM-74HC04S	HEX INVERTER					
U2	SIA-1676	Bipolar Analog IC 1GHz Amp					
U3	SIC-12013	DUAL MODULUS PRESCALER					
U4	SIT-74LS74S	DUAL D-TYPE FLIP-FLOP					

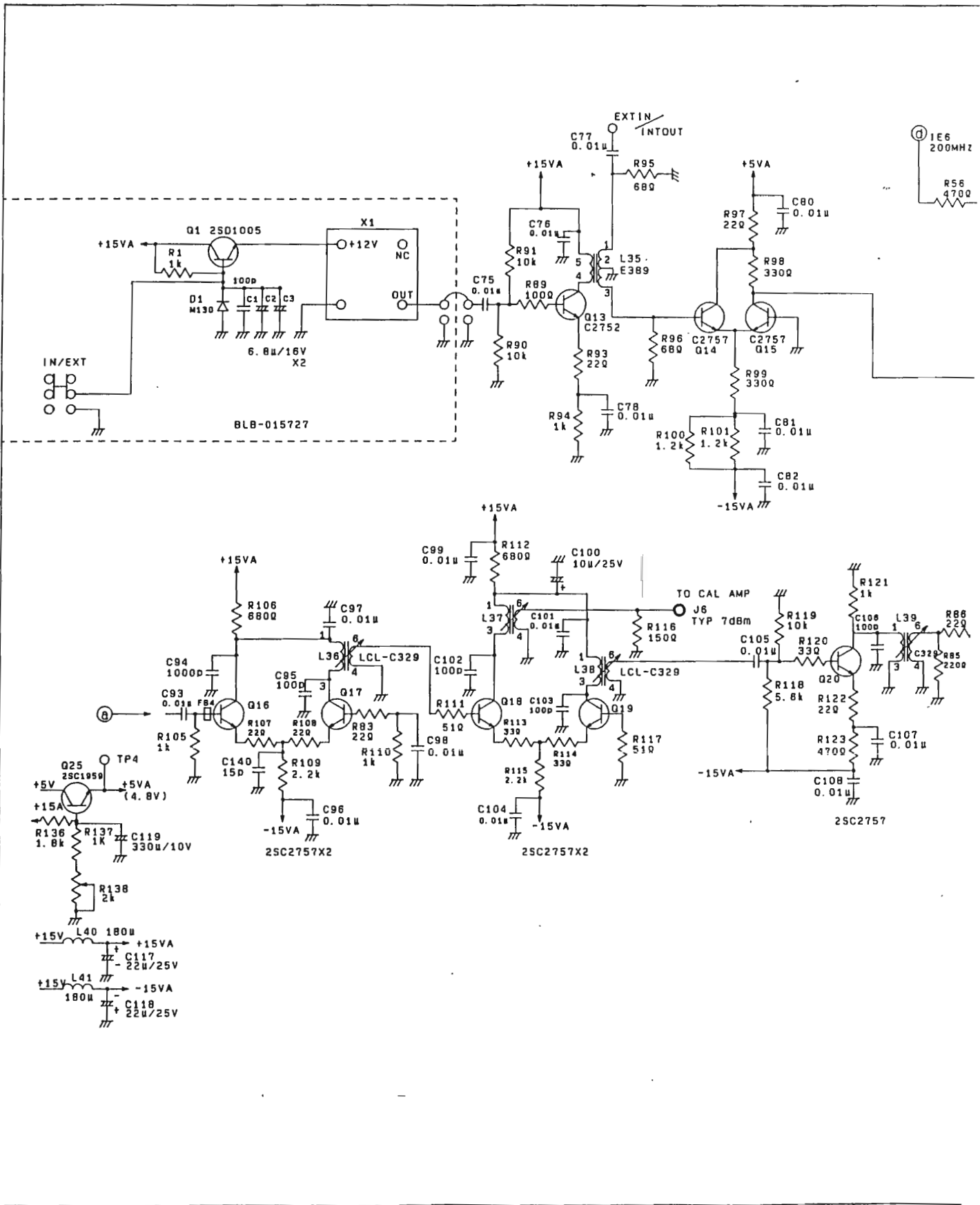
**R3261/3361
3RD CONV
BLG-015645 (8/8)**

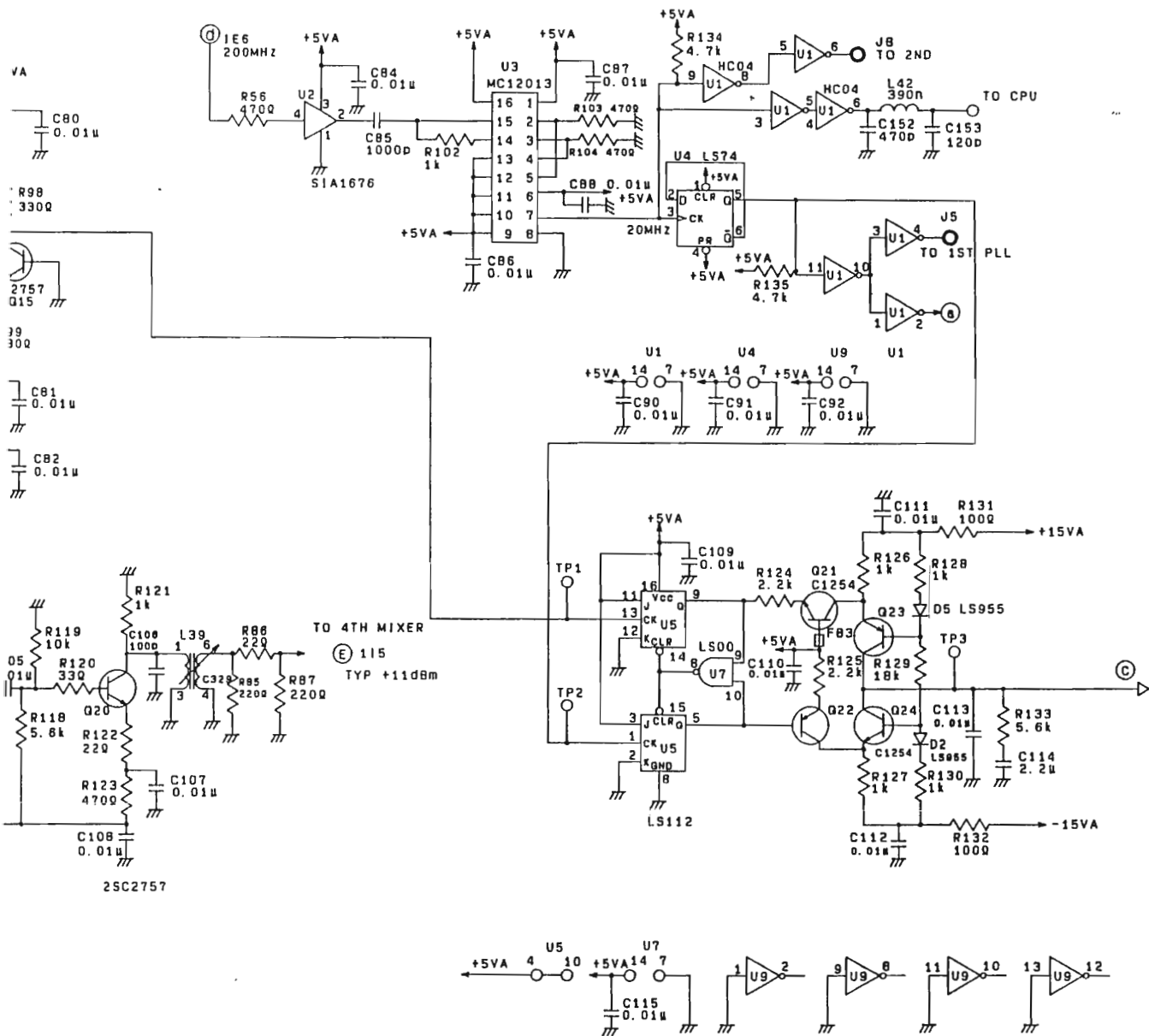
Parts No.	Avantest Stock No.	Description	Note
U5	SIT-74LS112S	DUAL J-K FLIP-FLOP	
U7	SIT-74LS00S	QUAD 2-INPUT NAND	
U9	SIM-74HC04S	HEX INVERTER	
U10	SIA-1675	Bipolar Analog IC 1GHz Amp	
U11	SIC-MC12009P	1/6 PRESCALER	
U16	SIT-74S112S-1	DUAL J-K FLIP-FLOP	
U17	SIT-74S00S-1	QUAD 2-INPUT NAND	
U18	SIA-OP07PS	OP AMP ULTRA-LOW OFFSET	
X1	DXD-001121-1	CRYSTAL	



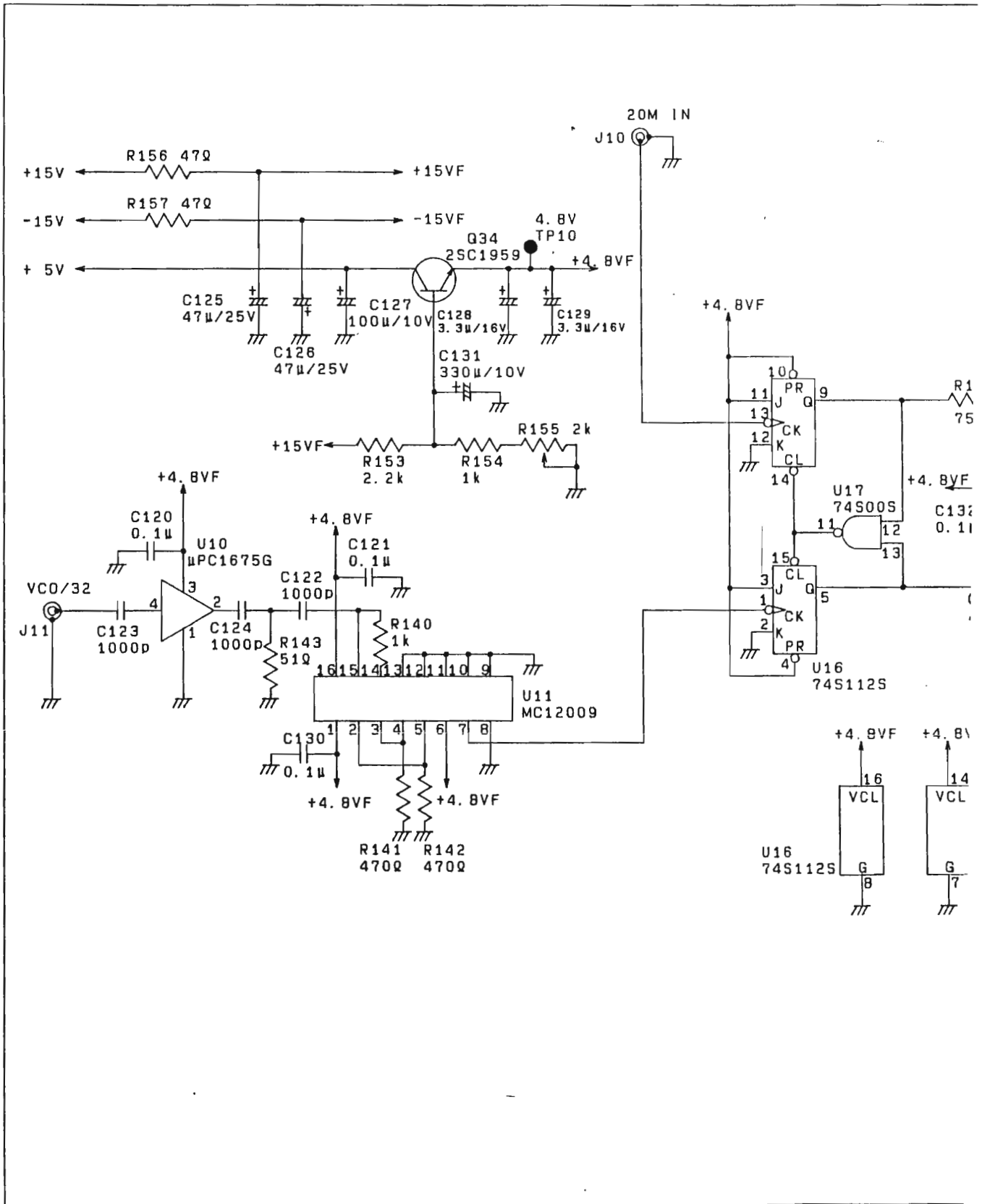


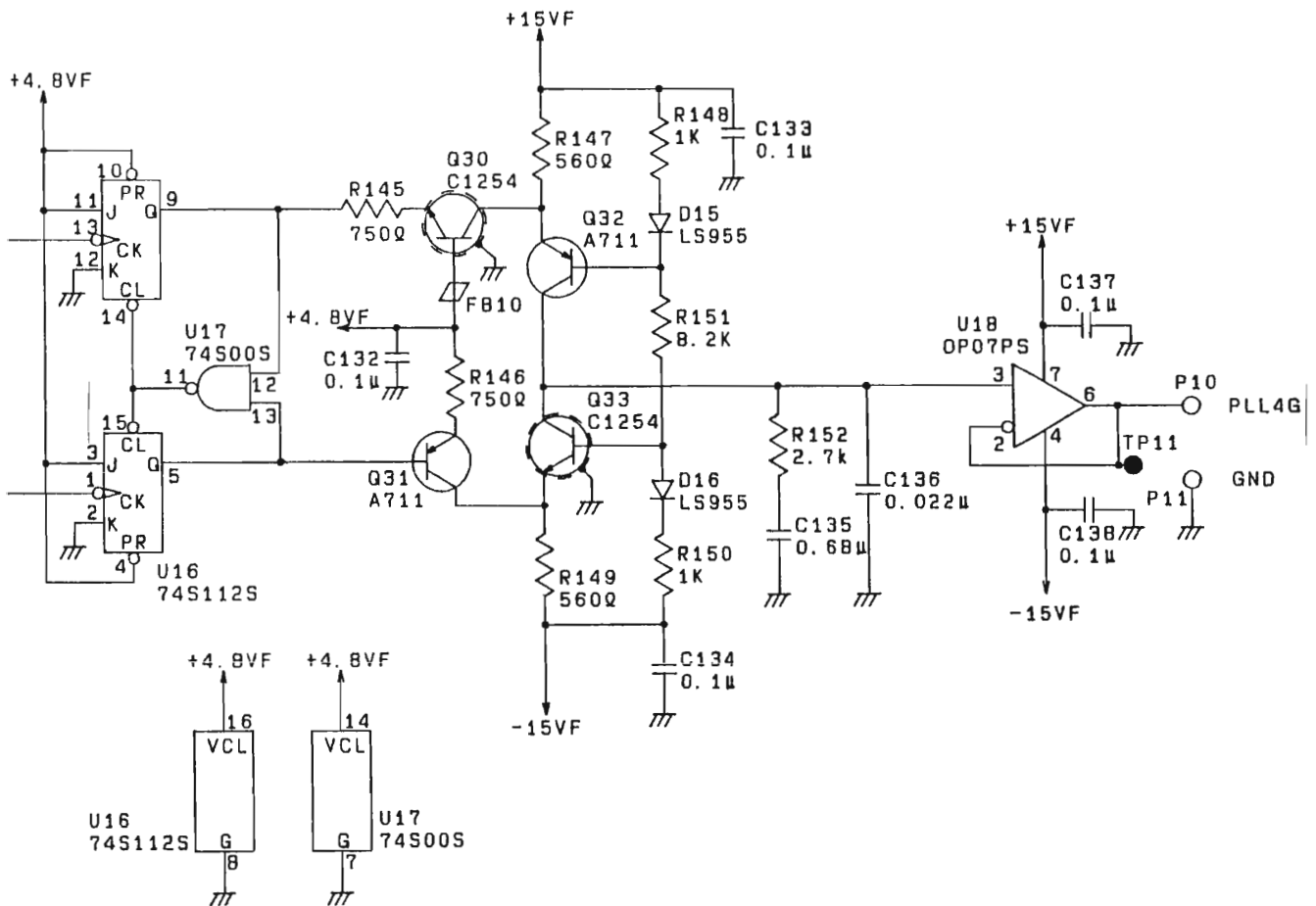
**R3261/3361 3RD CONV
BLG-015645 1/3**





**R3261/3361 3RD CONV
BLG-015645 2/3**





R3261/3361 3RD CONV
BLG-015645 3/3

**R3261/3361
YTO SYNTHÉ
BLK-015649 (1/8)**

Parts No.	Advantest Stock No.	Description					Note
C1	CCP-BA100P50V	FXD	CHIP	100PF	± 10%	50V	
C2	CCP-BBR1U50V	FXD	CHIP	0.1 μ F	+80%, -20%	50V	
C3	CCP-BA1000P50V	FXD	CHIP	1000PF	± 10%	50V	
C4	CCP-AT7PR1K	FXD	CHIP	7PF	± 0.5PF	100V	
C5	CCP-AT10PR1K	FXD	CHIP	10PF	± 1PF	100V	
C7	CCP-BAR01U50V	FXD	CHIP	0.01 μ F	± 10%	50V	
C9	CTM-BM30P	VAR		30PF	+50%, -0%	100V	
C10	CTM-BM10P	VAR		10PF	+50%, -0%	100V	
C11	CCP-BBR1U50V	FXD	CHIP	0.1 μ F	+80%, -20%	50V	
C14	CCP-BA33P50V	FXD	CHIP	33PF	± 5%	50V	
C15	CCP-BBR1U50V	FXD	CHIP	0.1 μ F	+80%, -20%	50V	
C16	CCP-BA68P50V	FXD	CHIP	68PF	± 5%	50V	
C17	CCP-AV47PR1K	FXD	CHIP	47PF	± 2%	100V	
C18	CCP-AV51PR1K	FXD	CHIP	51PF	± 2%	100V	
C19	CCP-AV47PR1K	FXD	CHIP	47PF	± 2%	100V	
C20	CCP-BAR01U50V	FXD	CHIP	0.01 μ F	± 10%	50V	
C21	CCP-BBR1U50V	FXD	CHIP	0.1 μ F	+80%, -20%	50V	
C22	CCP-BAR01U50V	FXD	CHIP	0.01 μ F	± 10%	50V	
C23	CCP-BBR1U50V	FXD	CHIP	0.1 μ F	+80%, -20%	50V	
C24	CCP-BAR01U50V	FXD	CHIP	0.01 μ F	± 10%	50V	
C25	CCP-BA470P50V	FXD	CHIP	470PF	± 5%	50V	
C26	CCP-BBR1U50V	FXD	CHIP	0.1 μ F	+80%, -20%	50V	
C29	CFM-AS4700P50V	FXD	FILM	4700PF	± 10%	50V	
C30	CCP-BA1000P50V	FXD	CHIP	1000PF	± 10%	50V	
C31	CCP-AT11PR1K	FXD	CHIP	11PF	± 10%	100V	
C33	CCP-AT3PR1K	FXD	CHIP	3PF	± 0.5PF	100V	
C34	CCP-AT5PR1K	FXD	CHIP	5PF	± 0.5PF	100V	
C35	CCP-AT7PR1K	FXD	CHIP	7PF	± 0.5PF	100V	
C36	CCP-BA33P50V	FXD	CHIP	33PF	± 5%	50V	
C37	CCP-BA5P50V	FXD	CHIP	5PF	± 0.5PF	50V	
C38	CCP-BA1000P50V	FXD	CHIP	1000PF	± 10%	50V	
C39	CCK-BX47U25V	FXD	ELECT	47 μ F	± 20%	25V	
C40	CCP-BBR1U50V	FXD	CHIP	0.1 μ F	+80%, -20%	50V	
C41	CCP-BA1000P50V	FXD	CHIP	1000PF	± 10%	50V	
C42	CCK-BX100U10V	FXD	ELECT	100 μ F	± 20%	10V	
C43	CCK-BX100U25V	FXD	ELECT	100 μ F	± 20%	25V	
C44	CSM-AGR01U50V	FXD	CER	0.01 μ F	+80%, -20%	50V	
C45	CCP-BA100P50V	FXD	CHIP	100PF	± 10%	50V	
C46	CCP-BAR01U50V	FXD	CHIP	0.01 μ F	± 10%	50V	
C48	CCP-BAR01U50V	FXD	CHIP	0.01 μ F	± 10%	50V	

**R3261/3361
YTO SYNTHÉ
BLK-015649 (2/8)**

Parts No.	Advantest Stock No.	Description					Note
C49	CCP-BAR01U50V	FXD	CHIP	0.01 μ F	$\pm 10\%$	50V	
C50	CCP-BBR1U50V	FXD	CHIP	0.1 μ F	+80%, -20%	50V	
C51	CCK-BX100U10V	FXD	ELECT	100 μ F	$\pm 20\%$	10V	
C52	CTA-AC3R3U16V	FXD	TA	3.3 μ F	$\pm 20\%$	16V	
C53	CCK-BX100U10V	FXD	ELECT	100 μ F	$\pm 20\%$	10V	
C54	CCK-BX47U25V	FXD	ELECT	47 μ F	$\pm 20\%$	25V	
C55	CCK-BX47U25V	FXD	ELECT	47 μ F	$\pm 20\%$	25V	
C56	CFM-ASR01U50V	FXD	FILM	0.01 μ F	$\pm 10\%$	50V	
C57	CFM-AHR1U100V	FXD	FILM	0.1 μ F	$\pm 10\%$	100V	
C58	CCP-AV47PR1K	FXD	CHIP	47PF	$\pm 2\%$	100V	
C59	CCP-AV51PR1K	FXD	CHIP	51PF	$\pm 2\%$	100V	
C60	CCP-AV47PR1K	FXD	CHIP	47PF	$\pm 2\%$	100V	
C61	CCP-BAR01U50V	FXD	CHIP	0.01 μ F	$\pm 10\%$	50V	
C62	CCP-BBR1U50V	FXD	CHIP	0.1 μ F	+80%, -20%	50V	
C66	CTA-AA100U20V	FXD	TA	100 μ F	$\pm 20\%$	20V	
C67	CTA-AA100U20V	FXD	TA	100 μ F	$\pm 20\%$	20V	
C68	CCP-BBR1U50V	FXD	CHIP	0.1 μ F	+80%, -20%	50V	
C70	CFM-AH1U100V	FXD	FILM	1 μ F	$\pm 10\%$	100V	
C74	CCP-BBR1U50V	FXD	CHIP	0.1 μ F	+80%, -20%	50V	
C75	CCP-BAR01U50V	FXD	CHIP	0.01 μ F	$\pm 10\%$	50V	
C76	CCP-BBR1U50V	FXD	CHIP	0.1 μ F	+80%, -20%	50V	
C77	CCP-BBR1U50V	FXD	CHIP	0.1 μ F	+80%, -20%	50V	
C78	CCP-BA3P50V	FXD	CHIP	3PF	$\pm 0.25PF$	50V	
C79	CCP-BA3P50V	FXD	CHIP	3PF	$\pm 0.25PF$	50V	
C80	CCP-AT18PR1K	FXD	CHIP	18PF	$\pm 10\%$	100V	
C81	CCP-BA15P50V	FXD	CHIP	15PF	$\pm 5\%$	50V	
C82	CCP-BA1P50V	FXD	CHIP	1PF	$\pm 0.25PF$	50V	
C83	CCP-BA15P50V	FXD	CHIP	15PF	$\pm 5\%$	50V	
C85	CFM-AS1000P50V	FXD	FILM	1000PF	$\pm 10\%$	50V	
C86	CFM-ANR1U50V	FXD	FILM	0.1 μ F	$\pm 5\%$	50V	
C87	CCP-BA10P50V	FXD	CHIP	10PF	$\pm 0.5\%$	50V	
C88	CCP-BA470P50V	FXD	CHIP	470PF	$\pm 5\%$	50V	
C89	CCP-BA1000P50V	FXD	CHIP	1000PF	$\pm 10\%$	50V	
C90	CCP-BA100P50V	FXD	CHIP	100PF	$\pm 10\%$	50V	
C91	CCP-AT7PR1K	FXD	CHIP	7PF	$\pm 0.5PF$	100V	
C92	CCP-AT10PR1K	FXD	CHIP	10PF	$\pm 1PF$	100V	
C93	CCP-AT2R5PR1K	FXD	CHIP	2.5PF	$\pm 0.25PF$	100V	
C94	CCP-AT10PR1K	FXD	CHIP	10PF	$\pm 1PF$	100V	
C95	CCP-AT7PR1K	FXD	CHIP	7PF	$\pm 0.5PF$	100V	
C96	CCP-BA33P50V	FXD	CHIP	33PF	$\pm 5\%$	50V	

R3261/3361
YTO SYNTHÉ
BLK-015649 (3/8)

Parts No.	Advantest Stock No.	Description					Note
C97	CCP-BA5P50V	FXD	CHIP	5PF	±0.5PF	50V	
C98	CCP-BA1000P50V	FXD	CHIP	1000PF	±10%	50V	
C99	CCK-BX47U25V	FXD	ELECT	47µF	±20%	25V	
C100	CCP-BBR1U50V	FXD	CHIP	0.1µF	+80%, -20%	50V	
C101	CCP-BA1000P50V	FXD	CHIP	1000PF	±10%	50V	
C102	CCP-BBR1U50V	FXD	CHIP	0.1µF	+80%, -20%	50V	
C104	CCP-BBR1U50V	FXD	CHIP	0.1µF	+80%, -20%	50V	
C105	CCK-BX100U10V	FXD	ELECT	100µF	±20%	10V	
C106	CCK-BX100U10V	FXD	ELECT	100µF	±20%	10V	
C107	CCK-BX100U10V	FXD	ELECT	100µF	±20%	10V	
C108	CCK-BX100U10V	FXD	ELECT	100µF	±20%	10V	
C109	CCK-BX47U25V	FXD	ELECT	47µF	±20%	25V	
C110	CCK-BX47U25V	FXD	ELECT	47µF	±20%	25V	
C111	CCP-BA1000P50V	FXD	CHIP	1000PF	±10%	50V	
C112	CCP-BA1000P50V	FXD	CHIP	1000PF	±10%	50V	
C113	CCP-BA1000P50V	FXD	CHIP	1000PF	±10%	50V	
C114	CCP-BAR01U50V	FXD	CHIP	0.01µF	±10%	50V	
C115	CCP-BBR1U50V	FXD	CHIP	0.1µF	+80%, -20%	50V	
C116	CCP-BA1000P50V	FXD	CHIP	1000PF	±10%	50V	
C118	CCK-BX100U10V	FXD	ELECT	100µF	±20%	10V	
C119	CCP-BA100P50V	FXD	CHIP	100PF	±10%	50V	
C120	CCK-BX47U25V	FXD	ELECT	47µF	±20%	25V	
C121	CCK-BX47U25V	FXD	ELECT	47µF	±20%	25V	
C122	CCK-BX330U10V	FXD	ELECT	330µF	±20%	10V	
C123	CTA-AC3R3U16V	FXD	TA	3.3µF	±20%	16V	
C124	CCP-BA1000P50V	FXD	CHIP	1000PF	±10%	50V	
C125	CCP-BA1000P50V	FXD	CHIP	1000PF	±10%	50V	
C126	CCP-BA27P50V	FXD	CHIP	27PF	±5%	50V	
C127	CCP-BBR1U50V	FXD	CHIP	0.1µF	+80%, -20%	50V	
C128	CCP-BA100P50V	FXD	CHIP	100PF	±10%	50V	
C129	CCP-BA10P50V	FXD	CHIP	10PF	±0.5%	50V	
C130	CCP-BA18P50V	FXD	CHIP	18PF	±10%	50V	
C131	CSM-BA220P50V	FXD	CER	220PF	±5%	50V	
C132	CCP-BA100P50V	FXD	CHIP	100PF	±10%	50V	
C133	CCP-BA4P50V	FXD	CHIP	4PF	±0.5PF	50V	
C134	CCP-BA100P50V	FXD	CHIP	100PF	±10%	50V	
C135	CCP-BA100P50V	FXD	CHIP	100PF	±10%	50V	
C136	CTM-BM20P	VAR		20PF	+50%, -0%	100V	
C137	CCP-BA2P50V	FXD	CHIP	2PF	±0.25PF	50V	
C138	CCP-BAR01U50V	FXD	CHIP	0.01µF	±10%	50V	

**R3261/3361
YTO SYNTHÉ
BLK-015649 (4/8)**

Parts No.	Advantest Stock No.	Description	Note
C139	CCP-TCR1U50V	FXD CHIP 0.1 μ F +80%, -20% 50V	
C140	CSM-AGR01U50V	FXD CER 0.01 μ F +80%, -20% 50V	
C141	CCP-BA150P50V	FXD CER 150PF \pm 5% 50V	
C142	CCP-BA10P50V	FXD CER 10PF \pm 0.5PF 50V	
C143	CCP-BA10P50V	FXD CER 10PF \pm 0.5PF 50V	
C144	CCK-BY100U25V	FXD ELECT 100 μ F \pm 20% 25V	
C145	CTA-AE2R2U20V	FXD TA 2.2 μ F \pm 20% 20V	
C150	CCP-BA100P50V	FXD CHIP 100PF \pm 10% 50V	
D2	SDZ-M051	ZENER DIODE	
D3	SDS-LS955	ULTRA-HIGH SPEED SWITCHING DIODE	
D5	SDS-LD1	SI SWITCHING DIODE	
D6	SDS-1S2208	BURR CAP DIODE MIXER	
D7	SDS-1S242	SI SCHOTTKY BARRIER DIODE UHF	
D10	SDS-LS955	ULTRA-HIGH SPEED SWITCHING DIODE	
D20	SDS-LS955	ULTRA-HIGH SPEED SWITCHING DIODE	
D21	SDS-1S2208	BURR CAP DIODE MIXER	
D22	SDS-1S242	SI SCHOTTKY BARRIER DIODE UHF	
D24	SDS-LS955	ULTRA-HIGH SPEED SWITCHING DIODE	
DR1	DEE-001877-1	DR 400MHz	
DR2	DEE-001878-1	DR 350MHz	
FB1	ESM-000129	FERRITE CURE	
FB3	ESM-000129	FERRITE CURE	
J1	JCR-AF010PX02	CONNECTOR	
J2	JCF-BA001JX01-1	CONNECTOR	
J3	JCS-BZ003PX01	CONNECTOR	
J4	JCF-BA001JX01	CONNECTOR	
L1	LCL-E01296-1	COIL CHIP 56nH \pm 5%	
L2	LCL-A00062	COIL (CUSTOM DEVICE)	
L3	LCL-E00952	COIL CHIP 1 μ H \pm 20%	
L4	LCL-E00947	COIL CHIP 0.27 μ H \pm 20%	
L5	LCL-E00948	COIL CHIP 0.39 μ H \pm 20%	
L7	LCL-E00947	COIL CHIP 0.27 μ H \pm 20%	
L8	LCL-E00948	COIL CHIP 0.39 μ H \pm 20%	
L9	LCL-B00354	COIL 2200 μ H \pm 10%	
L10	LCL-E00952	COIL CHIP 1 μ H \pm 20%	
L11	LCL-E00952	COIL CHIP 1 μ H \pm 20%	
L12	LCL-E00947	COIL CHIP 0.27 μ H \pm 20%	
L13	LCL-E00948	COIL CHIP 0.39 μ H \pm 20%	
L14	LCL-E00948	COIL CHIP 0.39 μ H \pm 20%	
L15	LCL-E00947	COIL CHIP 0.27 μ H \pm 20%	

**R3261/3361
YTO SYNTHÉ
BLK-015649 (5/8)**

Parts No.	Advantest Stock No.	Description	Note
L16	LCL-E00933	COIL CHIP 22nH ±20%	
L17	LCL-E00933	COIL CHIP 22nH ±20%	
L18	LCL-E00952	COIL CHIP 1.0µH ±20%	
L20	LCL-E00952	COIL CHIP 1.0µH ±20%	
L21	LCL-E00943	COIL CHIP 180nH ±10%	
L22	LCL-C00010	COIL 180µH ±10%	
L23	LCL-C00010	COIL 180µH ±10%	
L25	LCL-C00010	COIL 180µH ±10%	
L28	LCL-E01078	COIL CHIP 33nH ±20%	
L29	LCL-E01072	COIL CHIP 10nH ±20%	
L30	LCL-E01092	COIL CHIP 0.1µH ±5%	
L31	LCL-E01072	COIL CHIP 10nH ±20%	
L32	LCL-E01095	COIL CHIP 0.18µH ±5%	
L33	LCL-E01081	COIL CHIP 0.27µH ±20%	
L34	LCL-E01077	COIL CHIP 27nH ±20%	
MX1	DEE-000736	DOUBLE BALANCE MIXER	
Q1	STN-2SC3356	TRANSISTOR NPN	
Q2	STN-2SC1426	TRANSISTOR NPN	
Q3	SFM-3SK129	MES FET GzAs N Channel	
Q4	STP-2SA1462	TRANSISTOR PNP	
Q5	STN-2SC3356	TRANSISTOR NPN	
Q6	STP-2SA812	TRANSISTOR PNP	
Q7	STN-2SC2712	TRANSISTOR NPN	
Q8	STN-2SC2712	TRANSISTOR NPN	
Q10	STN-2SC1254	TRANSISTOR NPN	
Q11	STP-2SA711	TRANSISTOR PNP	
Q13	STN-2SC1254	TRANSISTOR NPN	
Q14	STN-2SC2712	TRANSISTOR NPN	
Q15	STN-2SC1254	TRANSISTOR NPN	
Q16	STP-2SA711	TRANSISTOR PNP	
Q18	STN-2SC1254	TRANSISTOR NPN	
Q20	STN-2SC3356	TRANSISTOR NPN	
Q21	STP-2SA812	TRANSISTOR PNP	
Q22	STN-2SC2712	TRANSISTOR NPN	
Q23	STN-2SC1959	TRANSISTOR NPN	
R1	RCP-AN100	FXD CHIP 100Ω ±0.5% 1/10W	
R2	RCP-AN5R1K	FXD CHIP 5.1kΩ ±0.5% 1/10W	
R3	RCP-AN10K	FXD CHIP 10kΩ ±0.5% 1/10W	
R4	RCP-AJ8R2	FXD CHIP 8.2Ω ±10% 1/10W	
R5	RCP-AN270	FXD CHIP 270Ω ±0.5% 1/10W	

**R3261/3361
YTO SYNTHE
BLK-015649 (6/8)**

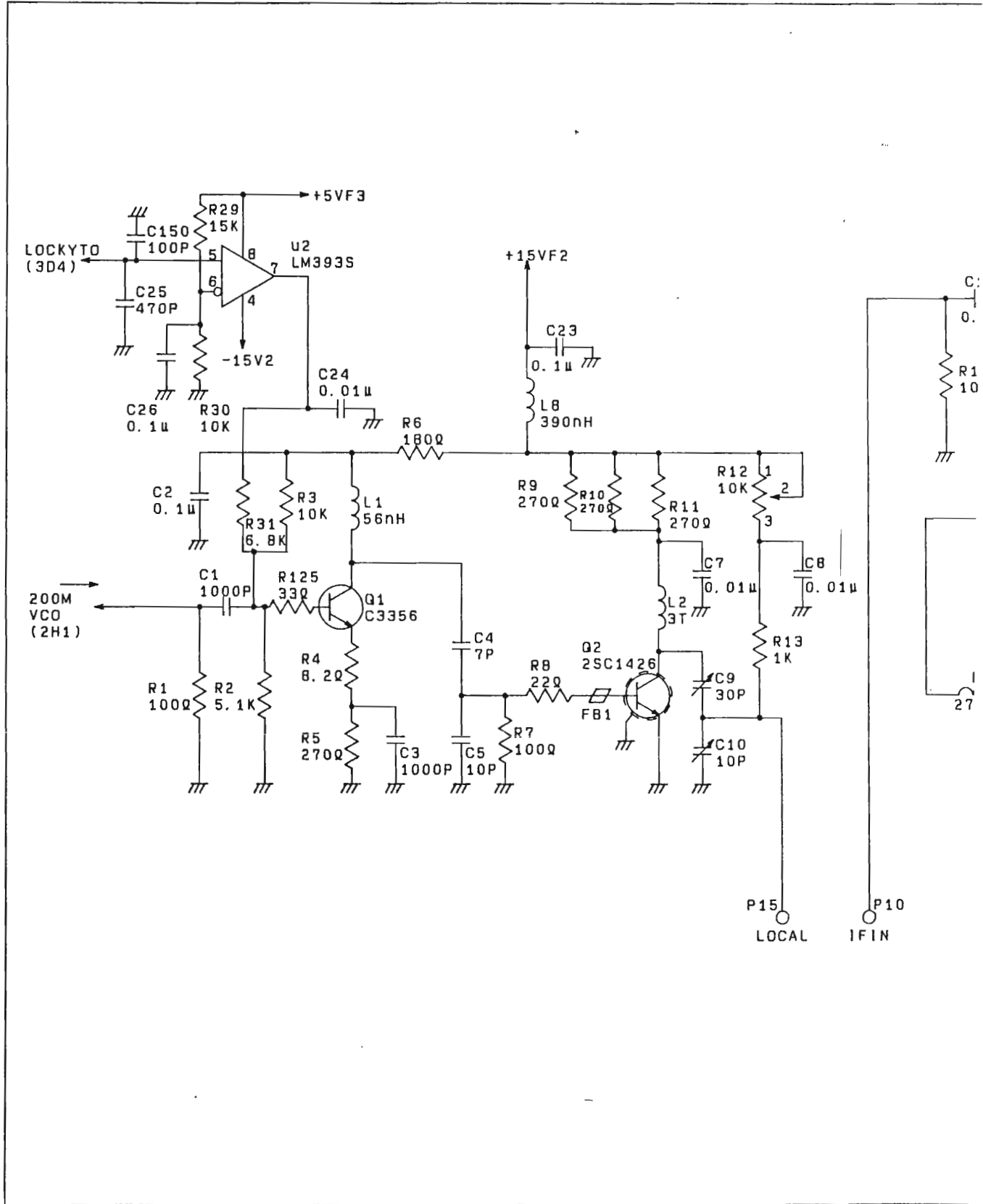
Parts No.	Advantest Stock No.	Description					Note
R6	RCP-AH180	FXD	CHIP	180 Ω	$\pm 5\%$	1/8W	
R7	RCP-AN100	FXD	CHIP	100 Ω	$\pm 0.5\%$	1/10W	
R8	RCP-AN22	FXD	CHIP	22 Ω	$\pm 0.5\%$	1/10W	
R9	RCP-AH270	FXD	CHIP	270 Ω	$\pm 5\%$	1/8W	
R10	RCP-AH270	FXD	CHIP	270 Ω	$\pm 5\%$	1/8W	
R11	RCP-AH270	FXD	CHIP	270 Ω	$\pm 5\%$	1/8W	
R12	RVR-DF10K	VAR		10k Ω	$\pm 20\%$	1/2W	
R13	RCP-AN1K	FXD	CHIP	1k Ω	$\pm 0.5\%$	1/10W	
R14	RCP-AN10K	FXD	CHIP	10k Ω	$\pm 0.5\%$	1/10W	
R15	RCP-AN8R2K	FXD	CHIP	8.2k Ω	$\pm 0.5\%$	1/10W	
R16	RCP-AN3R3K	FXD	CHIP	3.3k Ω	$\pm 0.5\%$	1/10W	
R17	RCP-AN5R6K	FXD	CHIP	5.6k Ω	$\pm 0.5\%$	1/10W	
R18	RCP-AN820	FXD	CHIP	820 Ω	$\pm 0.5\%$	1/10W	
R19	RCP-AN560	FXD	CHIP	560 Ω	$\pm 0.5\%$	1/10W	
R20	RCP-AN56	FXD	CHIP	56 Ω	$\pm 0.5\%$	1/10W	
R21	RCP-AN33	FXD	CHIP	33 Ω	$\pm 0.5\%$	1/10W	
R22	RCP-AN560	FXD	CHIP	560 Ω	$\pm 0.5\%$	1/10W	
R23	RCP-AN1R8K	FXD	CHIP	1.8k Ω	$\pm 0.5\%$	1/10W	
R24	RCP-AN22	FXD	CHIP	22 Ω	$\pm 0.5\%$	1/10W	
R26	RCP-AN270	FXD	CHIP	270 Ω	$\pm 0.5\%$	1/10W	
R27	RCP-AN18	FXD	CHIP	18 Ω	$\pm 0.5\%$	1/10W	
R28	RCP-AN270	FXD	CHIP	270 Ω	$\pm 0.5\%$	1/10W	
R29	RCP-AN15K	FXD	CHIP	15k Ω	$\pm 0.5\%$	1/10W	
R30	RCP-AN10K	FXD	CHIP	10k Ω	$\pm 0.5\%$	1/10W	
R31	RCP-AN6R8K	FXD	CHIP	6.8k Ω	$\pm 0.5\%$	1/10W	
R32	RCP-AN150	FXD	CHIP	150 Ω	$\pm 0.5\%$	1/10W	
R33	RCP-AN39	FXD	CHIP	39 Ω	$\pm 0.5\%$	1/10W	
R34	RCP-AN150	FXD	CHIP	150 Ω	$\pm 0.5\%$	1/10W	
R35	RCP-AN150	FXD	CHIP	150 Ω	$\pm 0.5\%$	1/10W	
R36	RCP-AN10K	FXD	CHIP	10k Ω	$\pm 0.5\%$	1/10W	
R37	RCP-AN4R7K	FXD	CHIP	4.7k Ω	$\pm 0.5\%$	1/10W	
R38	RCP-AN56	FXD	CHIP	56 Ω	$\pm 0.5\%$	1/10W	
R39	RCP-AN390	FXD	CHIP	390 Ω	$\pm 0.5\%$	1/10W	
R40	RCP-AN3R3K	FXD	CHIP	3.3k Ω	$\pm 0.5\%$	1/10W	
R41	RCP-AN2R2K	FXD	CHIP	2.2k Ω	$\pm 0.5\%$	1/10W	
R42	RCP-AN2R2K	FXD	CHIP	2.2k Ω	$\pm 0.5\%$	1/10W	
R43	RCP-AN1K	FXD	CHIP	1k Ω	$\pm 0.5\%$	1/10W	
R45	RCP-AN1K	FXD	CHIP	1k Ω	$\pm 0.5\%$	1/10W	
R47	RCP-AN18K	FXD	CHIP	18k Ω	$\pm 0.5\%$	1/10W	
R48	RCP-AN1K	FXD	CHIP	1k Ω	$\pm 0.5\%$	1/10W	

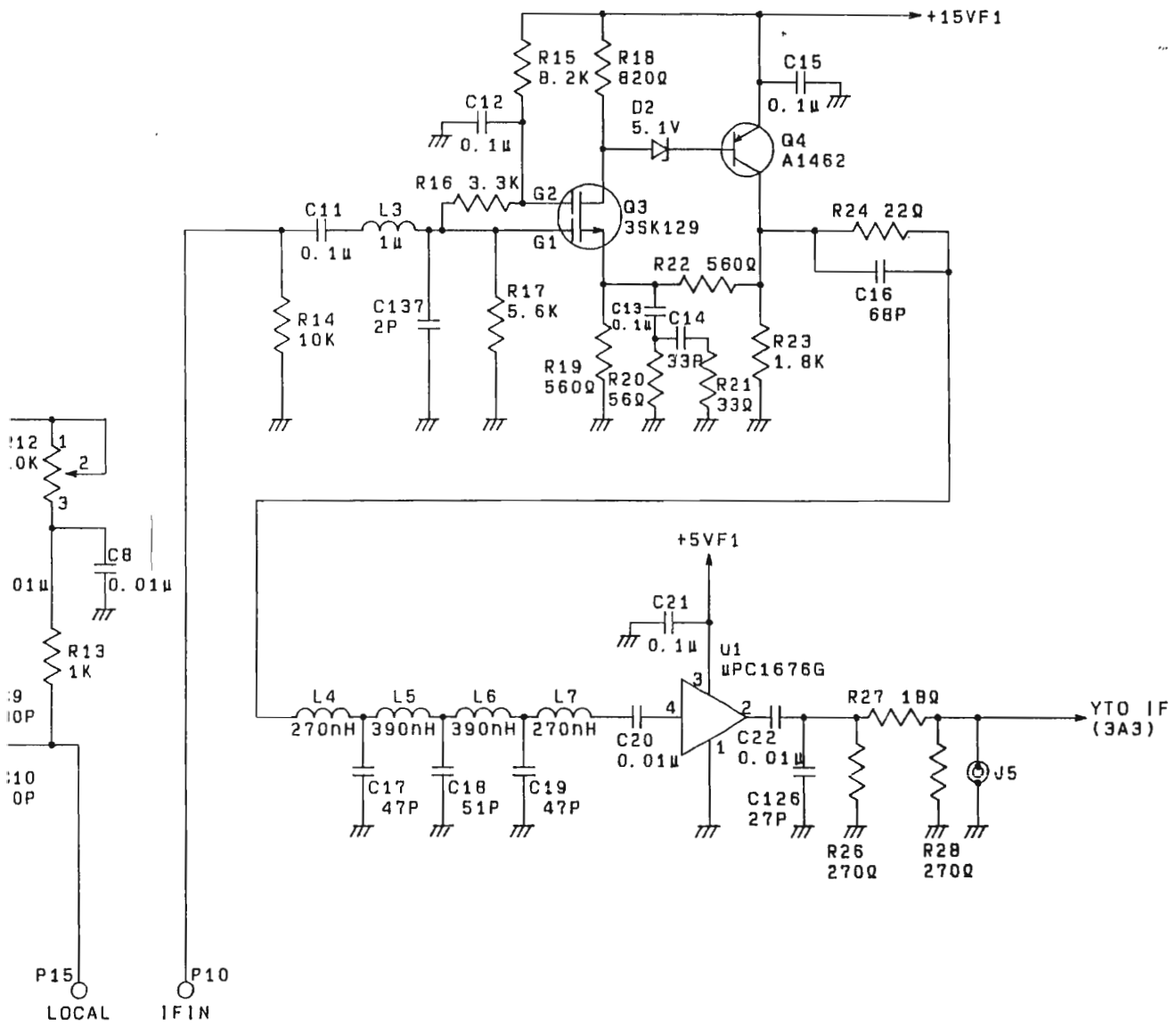
R3261/3361
 YTO SYNTHÉ
 BLK-015649 (7/8)

Parts No.	Advantest Stock No.	Description					Note
R49	RCP-AN51	FXD	CHIP	51 Ω	$\pm 0.5\%$	1/10W	
R50	RCP-AN10K	FXD	CHIP	10k Ω	$\pm 0.5\%$	1/10W	
R51	RCP-AN750	FXD	CHIP	750 Ω	$\pm 0.5\%$	1/10W	
R52	RCP-AN750	FXD	CHIP	750 Ω	$\pm 0.5\%$	1/10W	
R53	RCP-AN560	FXD	CHIP	560 Ω	$\pm 0.5\%$	1/10W	
R54	RCP-AN560	FXD	CHIP	560 Ω	$\pm 0.5\%$	1/10W	
R55	RCP-AN1K	FXD	CHIP	1k Ω	$\pm 0.5\%$	1/10W	
R57	RCP-AN8R2K	FXD	CHIP	8.2k Ω	$\pm 0.5\%$	1/10W	
R58	RCP-AN100	FXD	CHIP	100 Ω	$\pm 0.5\%$	1/10W	
R59	RCP-AN4R7K	FXD	CHIP	4.7k Ω	$\pm 0.5\%$	1/10W	
R60	RCP-AN4R7K	FXD	CHIP	4.7k Ω	$\pm 0.5\%$	1/10W	
R61	RCP-AN5R6K	FXD	CHIP	5.6k Ω	$\pm 0.5\%$	1/10W	
R62	RCP-AN180	FXD	CHIP	180 Ω	$\pm 0.5\%$	1/10W	
R64	RCP-AN12	FXD	CHIP	12 Ω	$\pm 0.5\%$	1/10W	
R79	RCP-AN10K	FXD	CHIP	10k Ω	$\pm 0.5\%$	1/10W	
R80	RCP-AN4R7K	FXD	CHIP	4.7k Ω	$\pm 0.5\%$	1/10W	
R81	RCP-AN56	FXD	CHIP	56 Ω	$\pm 0.5\%$	1/10W	
R82	RCP-AN390	FXD	CHIP	390 Ω	$\pm 0.5\%$	1/10W	
R83	RCP-AN3R3K	FXD	CHIP	3.3k Ω	$\pm 0.5\%$	1/10W	
R84	RCP-AN1K	FXD	CHIP	1k Ω	$\pm 0.5\%$	1/10W	
R85	RCP-AN470	FXD	CHIP	470 Ω	$\pm 0.5\%$	1/10W	
R87	RCP-AN150	FXD	CHIP	150 Ω	$\pm 0.5\%$	1/10W	
R102	RCP-AN22K	FXD	CHIP	22k Ω	$\pm 0.5\%$	1/10W	
R103	RCP-AN22K	FXD	CHIP	22k Ω	$\pm 0.5\%$	1/10W	
R104	RCP-AN1R5K	FXD	CHIP	1.5k Ω	$\pm 0.5\%$	1/10W	
R105	RCP-AN2R4K	FXD	CHIP	2.4k Ω	$\pm 0.5\%$	1/10W	
R106	RCP-AN1K	FXD	CHIP	1k Ω	$\pm 0.5\%$	1/10W	
R107	RCP-AN100	FXD	CHIP	100 Ω	$\pm 0.5\%$	1/10W	
R108	RCP-AN68	FXD	CHIP	68 Ω	$\pm 0.5\%$	1/10W	
R109	RCP-AN100	FXD	CHIP	100 Ω	$\pm 0.5\%$	1/10W	
R110	RCP-AN68	FXD	CHIP	68 Ω	$\pm 0.5\%$	1/10W	
R111	RCP-AN100	FXD	CHIP	100 Ω	$\pm 0.5\%$	1/10W	
R112	RCP-AN68	FXD	CHIP	68 Ω	$\pm 0.5\%$	1/10W	
R113	RCP-AN51	FXD	CHIP	51 Ω	$\pm 0.5\%$	1/10W	
R115	RCP-AN150	FXD	CHIP	150 Ω	$\pm 0.5\%$	1/10W	
R116	RCP-AN33	FXD	CHIP	33 Ω	$\pm 0.5\%$	1/10W	
R117	RCP-AN150	FXD	CHIP	150 Ω	$\pm 0.5\%$	1/10W	
R118	RCP-AN2R7K	FXD	CHIP	2.7k Ω	$\pm 0.5\%$	1/10W	
R119	RCP-AN51	FXD	CHIP	51 Ω	$\pm 0.5\%$	1/10W	
R120	RCP-AN1R8K	FXD	CHIP	1.8k Ω	$\pm 0.5\%$	1/10W	

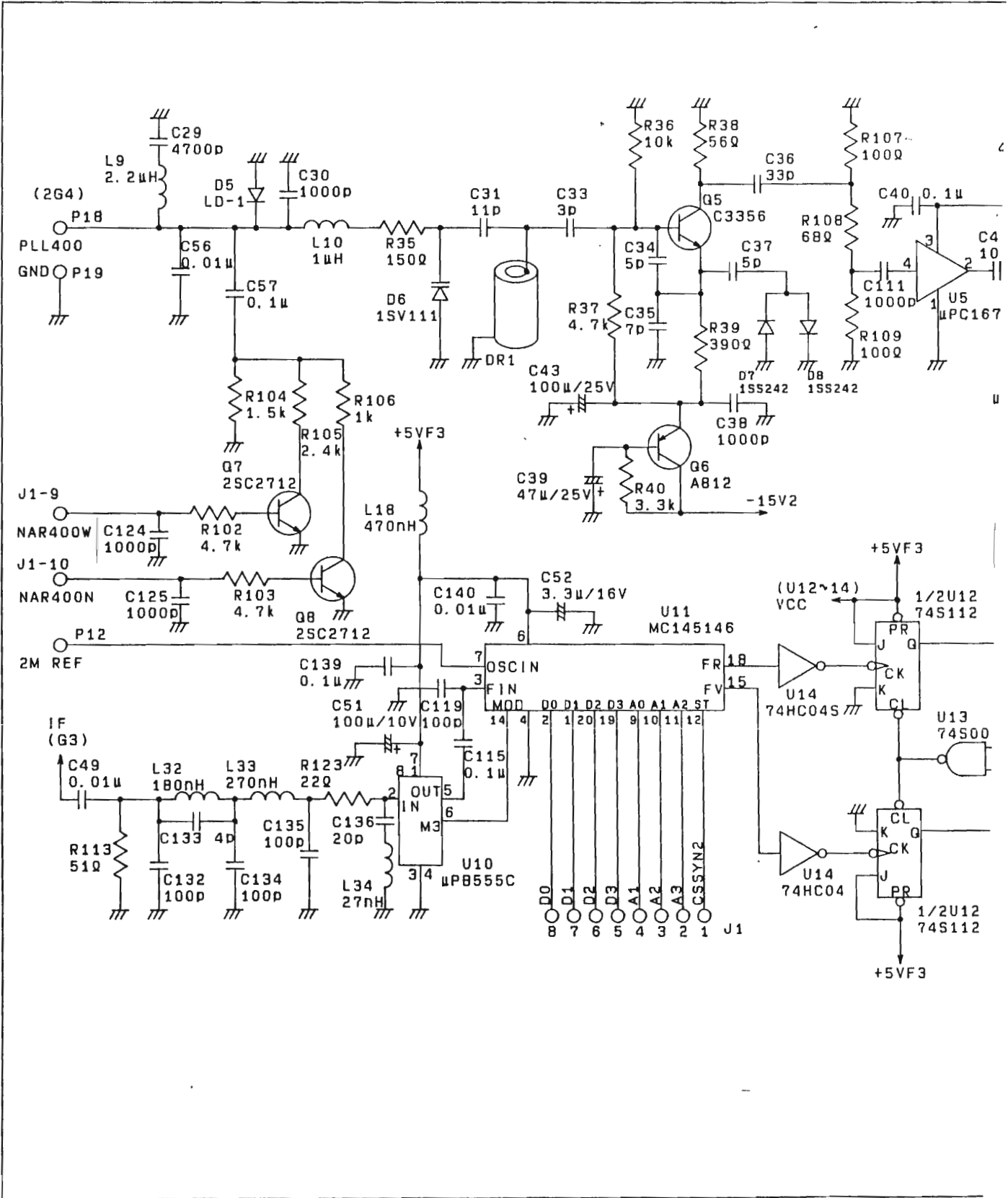
**R3261/3361
YTO SYNTHÉ
BLK-015649 (8/8)**

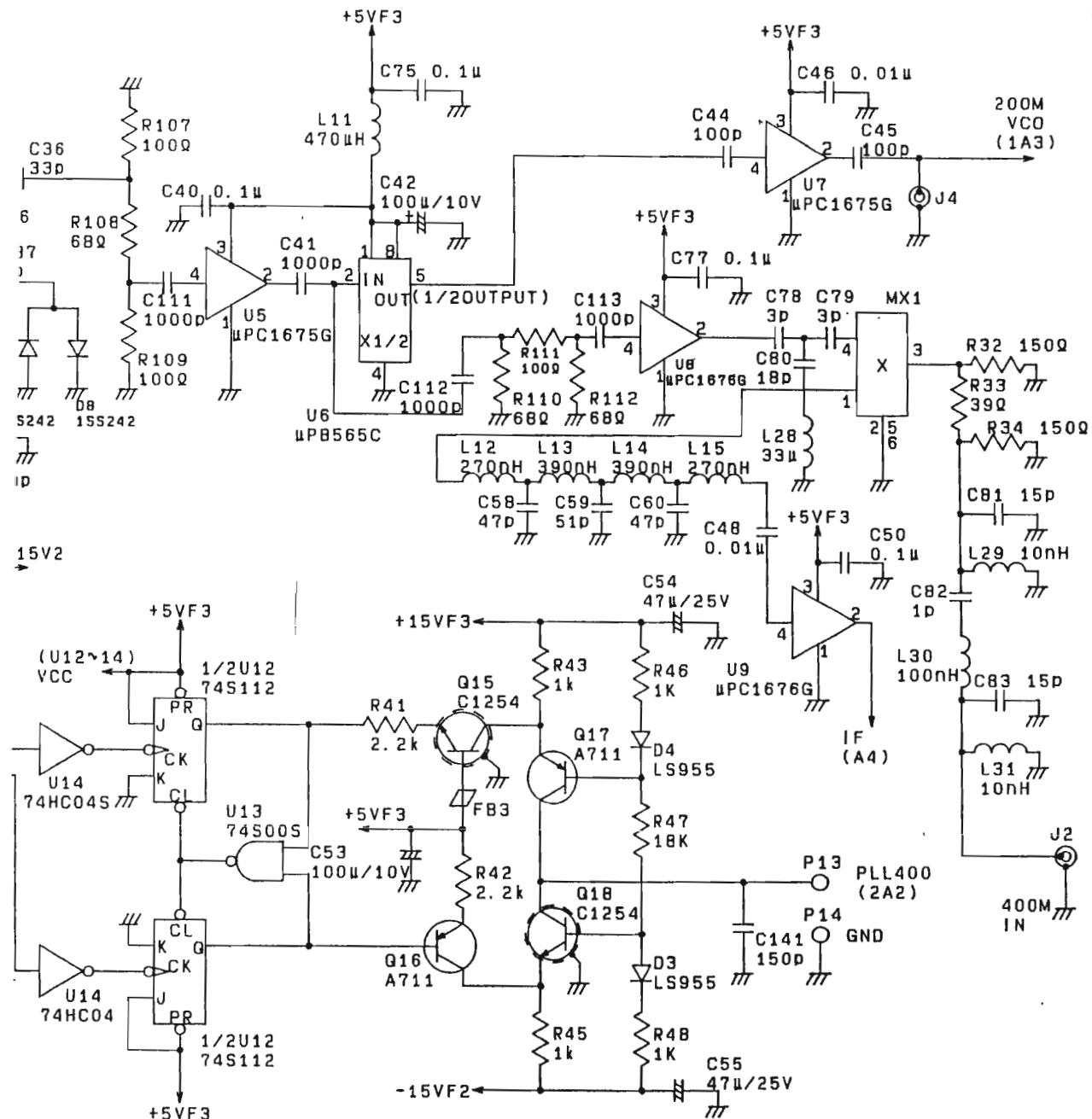
Parts No.	Advantest Stock No.	Description	Note
R121	RCP-AN1K	FXD CHIP 1k Ω \pm 0.5% 1/10W	
R122	RVR-DF2K	VAR 2k Ω \pm 20% 1/2W	
R123	RCP-AN22	FXD CHIP 22 Ω \pm 0.5% 1/10W	
R124	RCP-AN10	FXD CHIP 10 Ω \pm 0.5% 1/10W	
R125	RCP-AN33	FXD CHIP 33 Ω \pm 0.5% 1/10W	
U1	SIA-1676	Bipolar Analog IC 1GHz Amp	
U2	SIA-373S	COMPARATOR Dual Low Noise Low Offset	
U5	SIA-1675	Bipolar Analog IC 1GHz Amp	
U6	SIC-565	1GHz PRESCALER	
U7	SIA-1675	Bipolar Analog IC 1GHz Amp	
U8	SIA-1676	Bipolar Analog IC 1GHz Amp	
U10	SIC-555	LOW POWER 2-MODULUS PRESCALER	
U11	SIM-145146	4-BIT DATA BUS INPUT PLL FREQ SYNTHÉ	
U12	SIT-74S112-1	DUAL J-K FLIP-FLOP	
U13	SIT-74S00S-1	QUAD 2-INPUT NAND	
U14	SIT-74HC04S	HEX INVERTER	
U15	SIA-1676	Bipolar Analog IC 1GHz Amp	
U16	SIT-74F74S	DUAL D-TYPE FLIP-FLOP	
U17	SIT-74F112S	DUAL J-K FLIP-FLOP	
U18	SIT-74F00S	QUAD 2-INPUT NAND	
U19	SIA-398	MONOLITHIS SAMPLE AND HOLD CIRCUITS	
U24	SIA-1675	Bipolar Analog IC 1GHz Amp	
U25	SIC-12013	DUAL MODULUS PRESCALER	



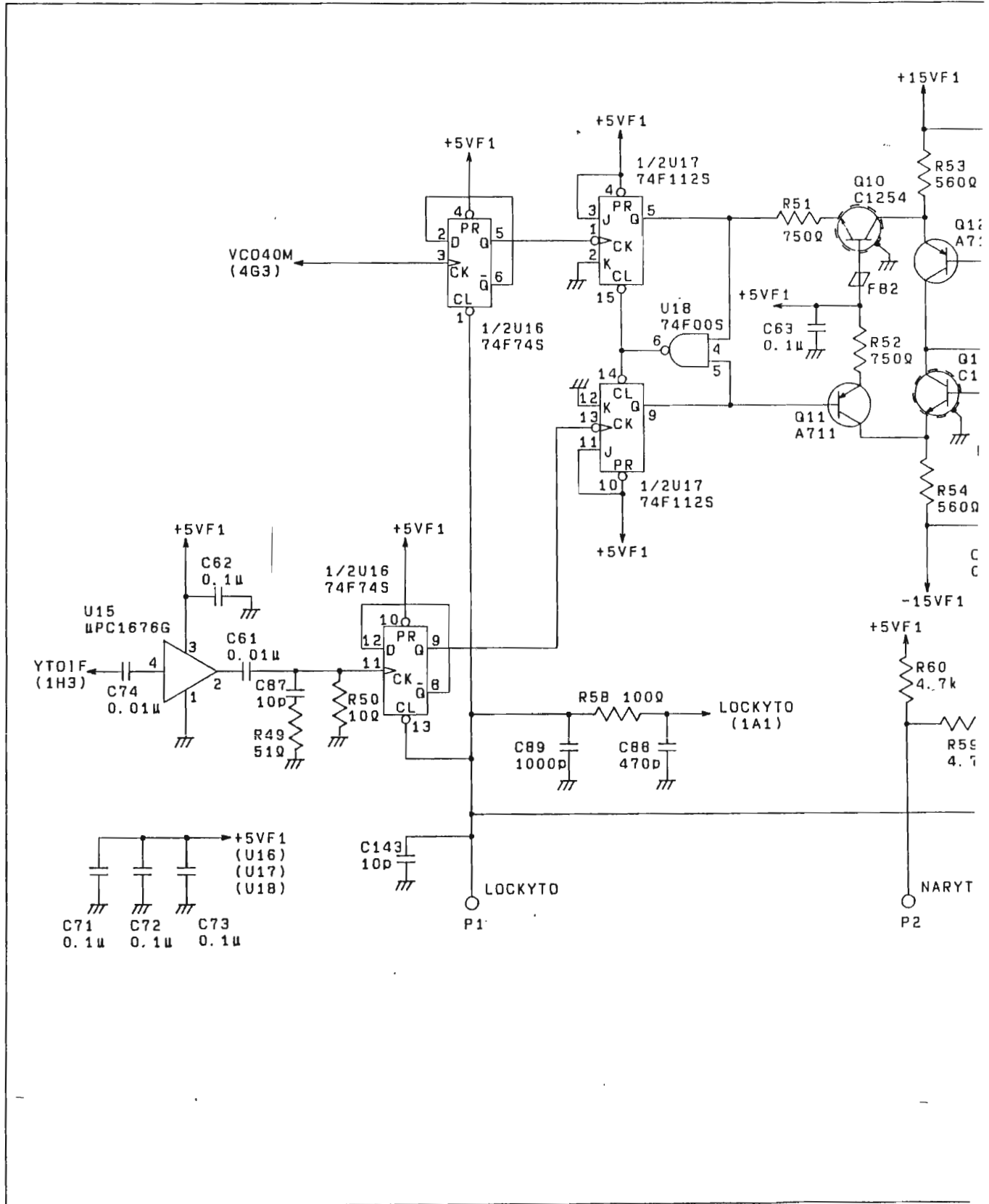


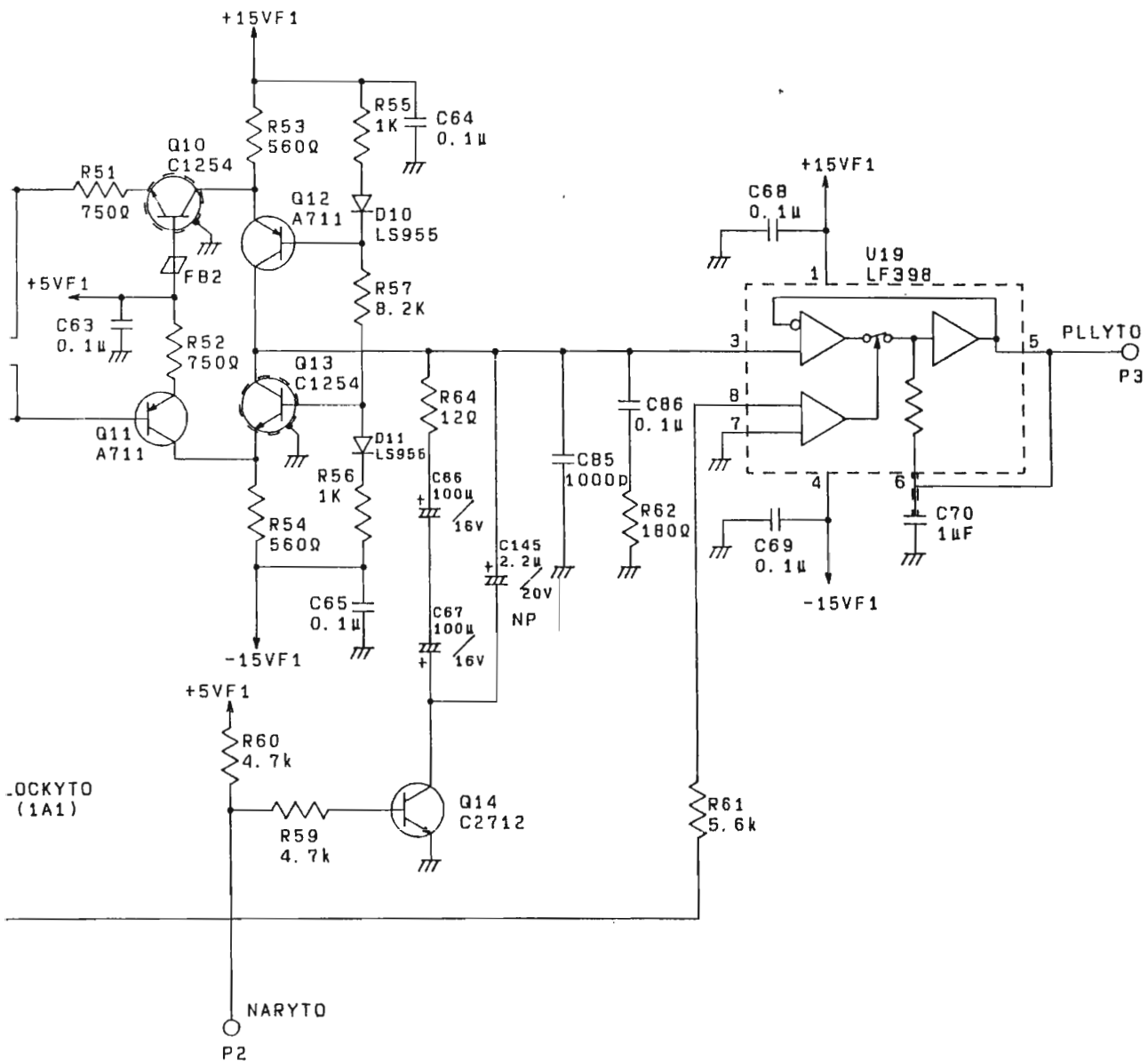
R3261/3361 YTO SYNTH
BLK-015649 1/4



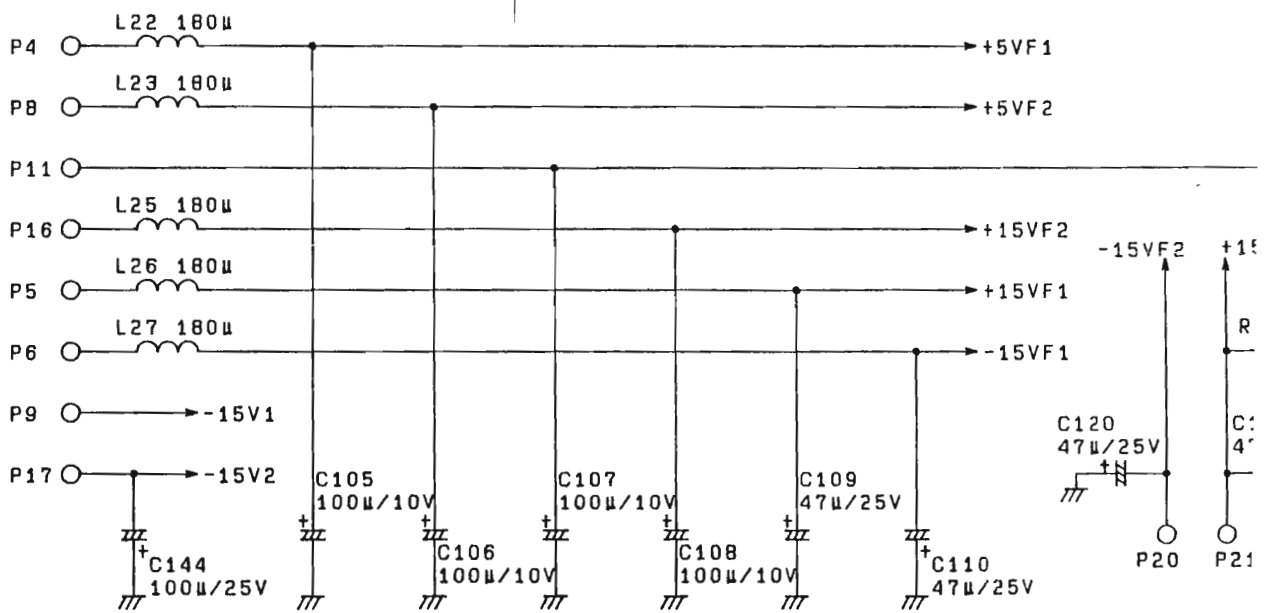
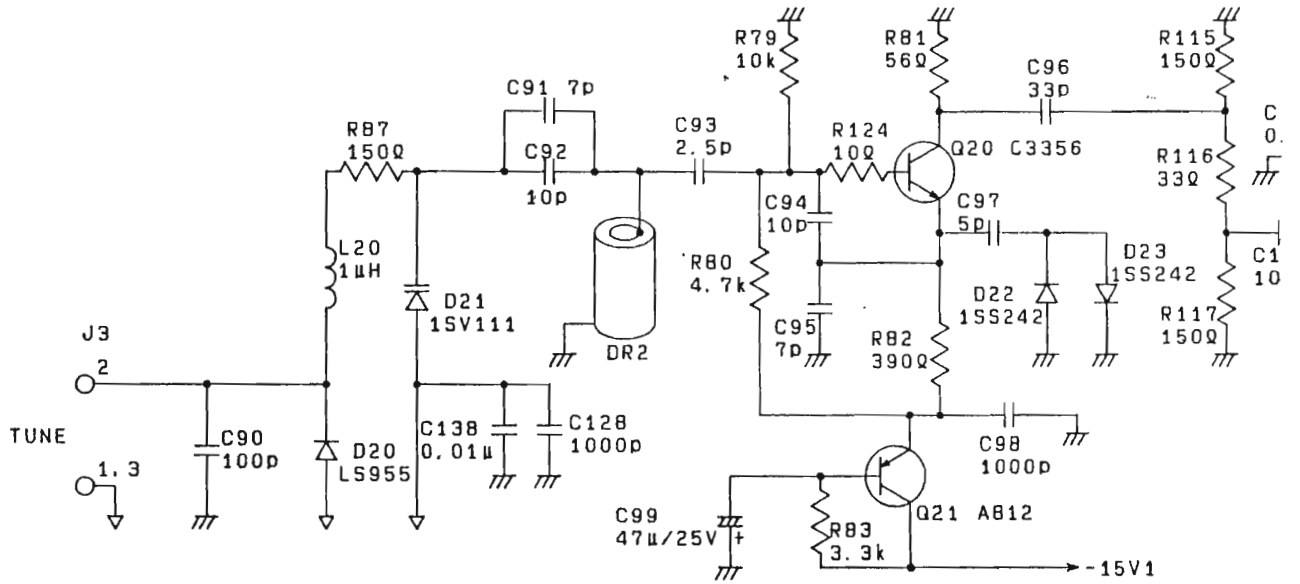


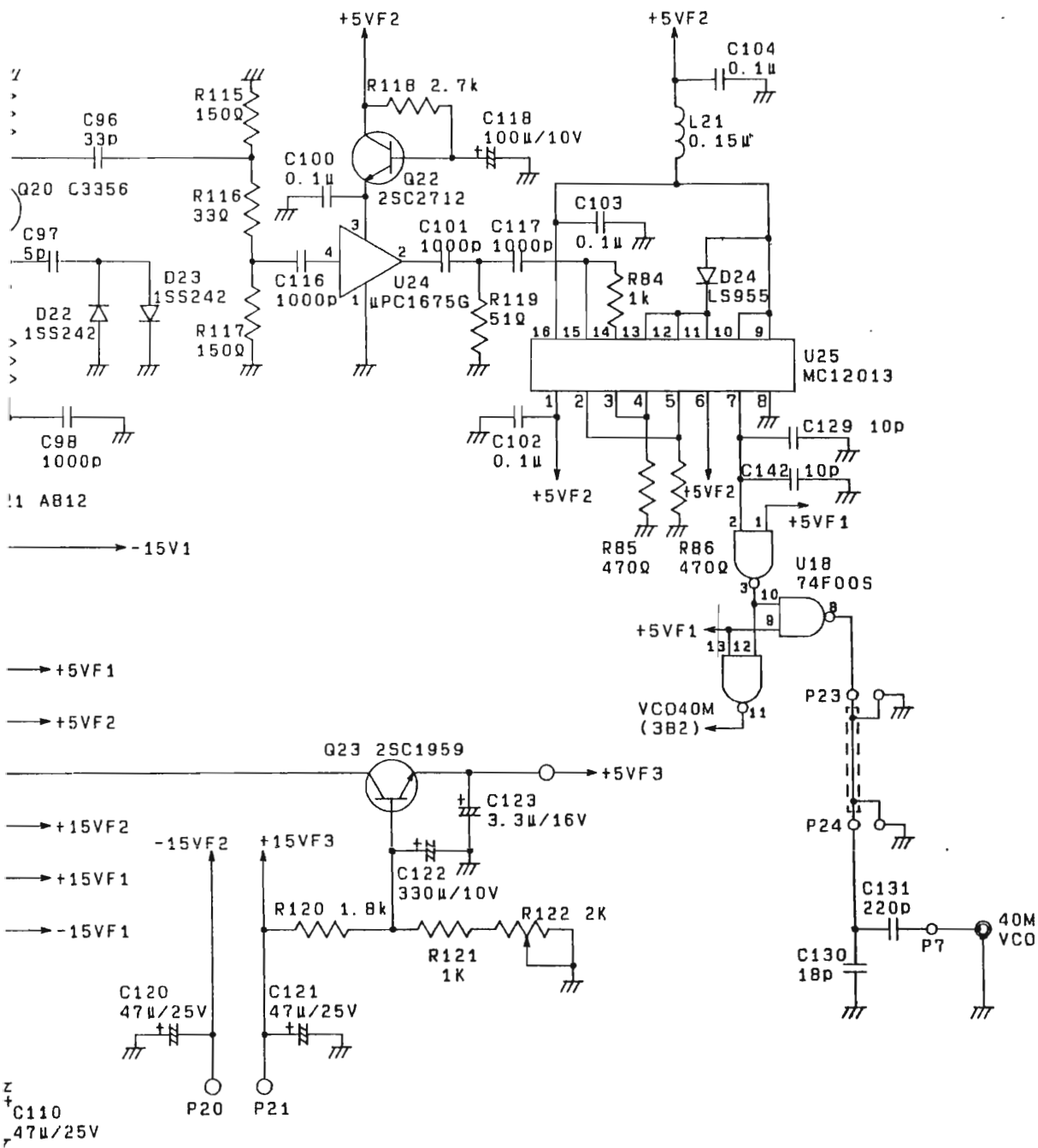
**R3261/3361 YTO SYNTH
BLK-015649 2/4**





**R3261/3361 YTO SYNTH
BLK-015649 3/4**



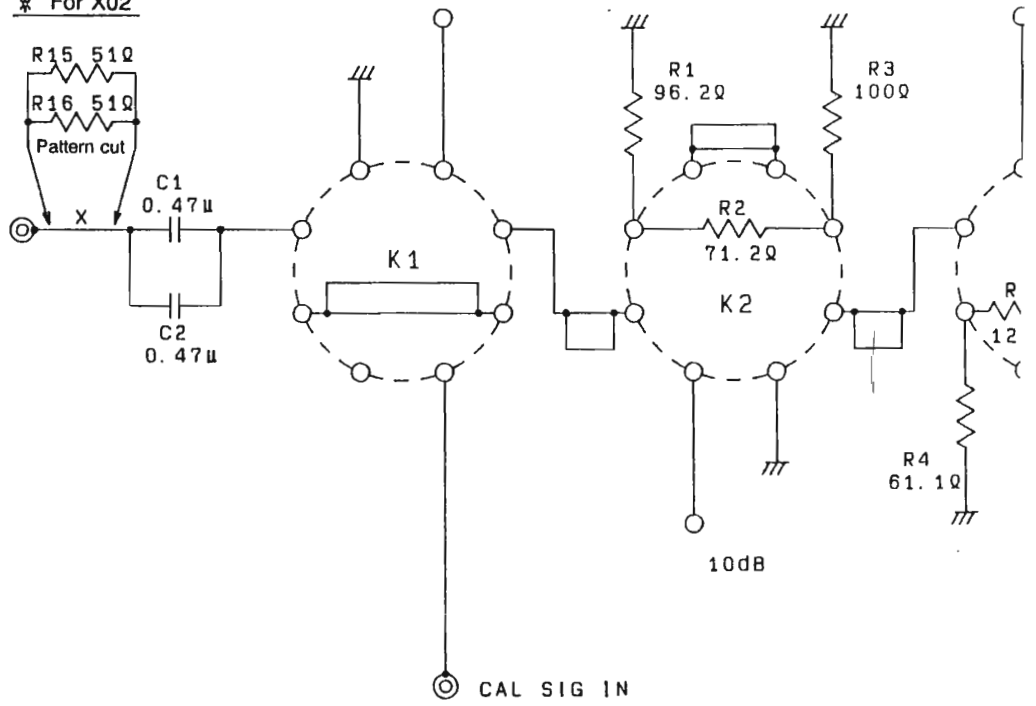


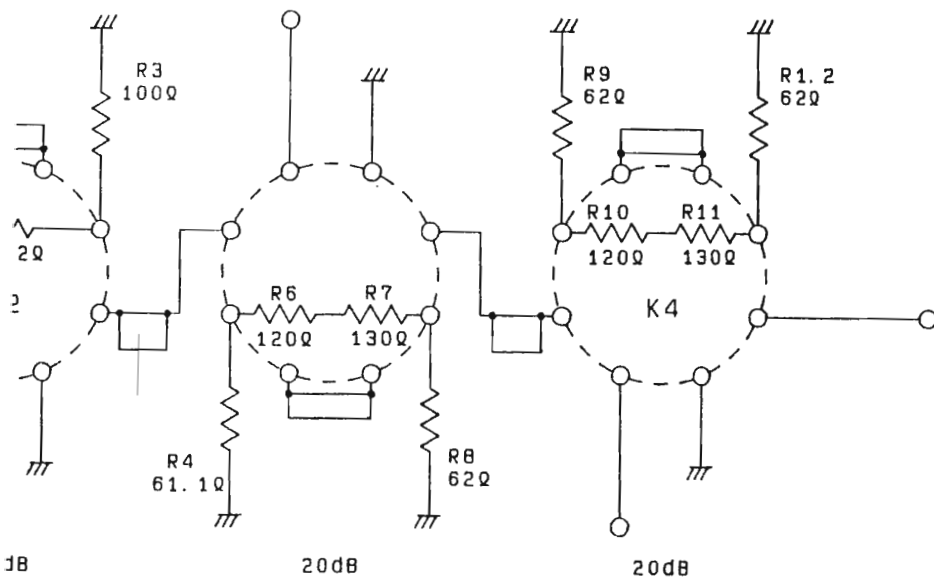
R3261/3361 YTO SYNTH
BLK-015649 4/4

R3261/3361
 INPUT ATT
 BTB-015641 (1/1)

Parts No.	Advantest Stock No.	Description					Note
C1	CCP-ADR47U50V	FXD	CHIP	0.47 μ F	+80%, -20%	50V	
C2	CCP-ADR47U50V	FXD	CHIP	0.47 μ F	+80%, -20%	50V	
K1	KRL-000350	RELAY					
K2	KRL-000350-2	RELAY					
R1	RMF-BQ96R2QFK-1	FXD	METAL	96.2 Ω	\pm 1%	1/4W	
R2	RMF-BR71R2QFK-1	FXD	METAL	71.2 Ω	\pm 1%	1/4W	
R3	RCP-AN100	FXD	CHIP	100 Ω	\pm 0.5%	1/10W	
R4	RCP-BE61R1-1	FXD	CHIP	61.1 Ω	\pm 1%	1/2W	
R6	RCP-AN120	FXD	CHIP	120 Ω	\pm 0.5%	1/10W	
R7	RCP-AN130	FXD	CHIP	130 Ω	\pm 0.5%	1/10W	
R8	RCP-AN62	FXD	CHIP	62 Ω	\pm 0.5%	1/10W	
R9	RCP-AN62	FXD	CHIP	62 Ω	\pm 0.5%	1/10W	
R10	RCP-AN120	FXD	CHIP	120 Ω	\pm 0.5%	1/10W	
R11	RCP-AN130	FXD	CHIP	130 Ω	\pm 0.5%	1/10W	
R12	RCP-AN62	FXD	CHIP	62 Ω	\pm 0.5%	1/10W	

* For X02





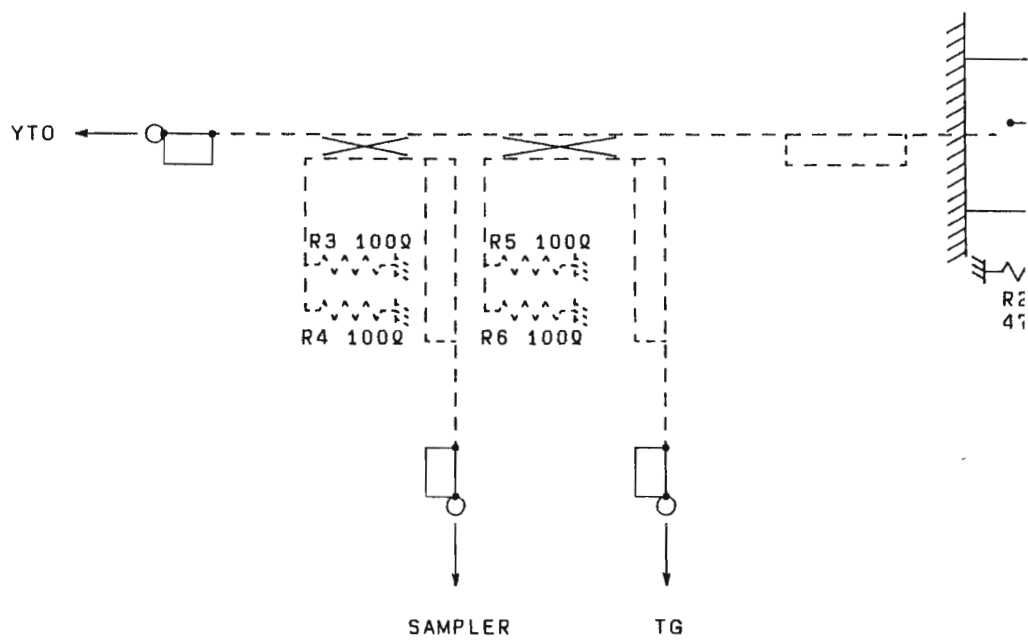
Loss (dB)	K2	K3	K4
0	0	0	0
10	-12V	0	0
20	0	-12V	0
30	-12V	-12V	0
40	0	-12V	-12V
50	-12V	-12V	-12V

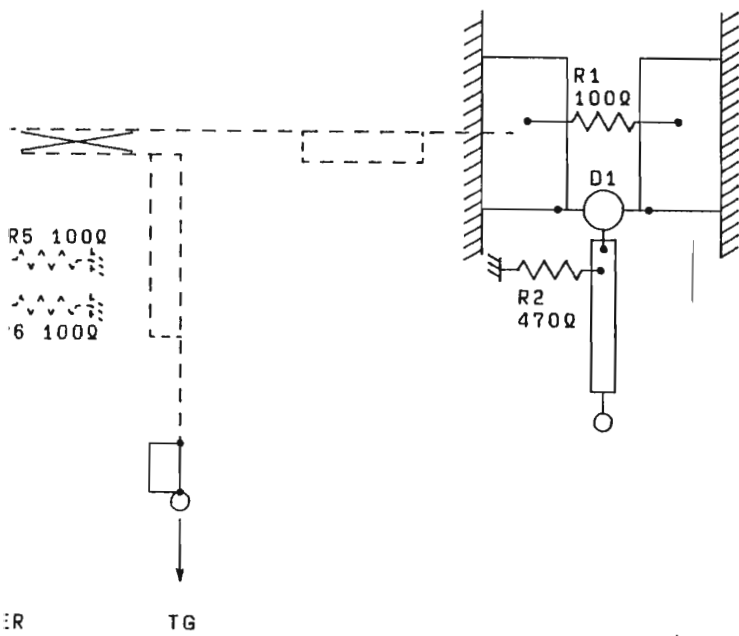
CALL ON/OFF	K1
ON	0
OFF	-12V

R3261/3361 INPUT ATT
BTB-01564

R3261/3361
IST MIXER
BTB-015642 (1/1)

Parts No.	Advantest Stock No.	Description	Note
D1	SDS-DMJ4317	SCHOTTKY BARRIER SI DIODE	
R1	RCP-AH100	FXD CHIP 100 Ω \pm 5% 1/8W	
R2	RCP-AH470	FXD CHIP 470 Ω \pm 5% 1/8W	
R3	RCP-AJ100	FXD CHIP 100 Ω \pm 5% 1/10W	
R6	RCP-AJ100	FXD CHIP 100 Ω \pm 5% 1/10W	





**R3261/3361 1ST MIXER/COUPLER
BTB-015642**

R3261/3361
2ND CONV
BTD-015644 (1/3)

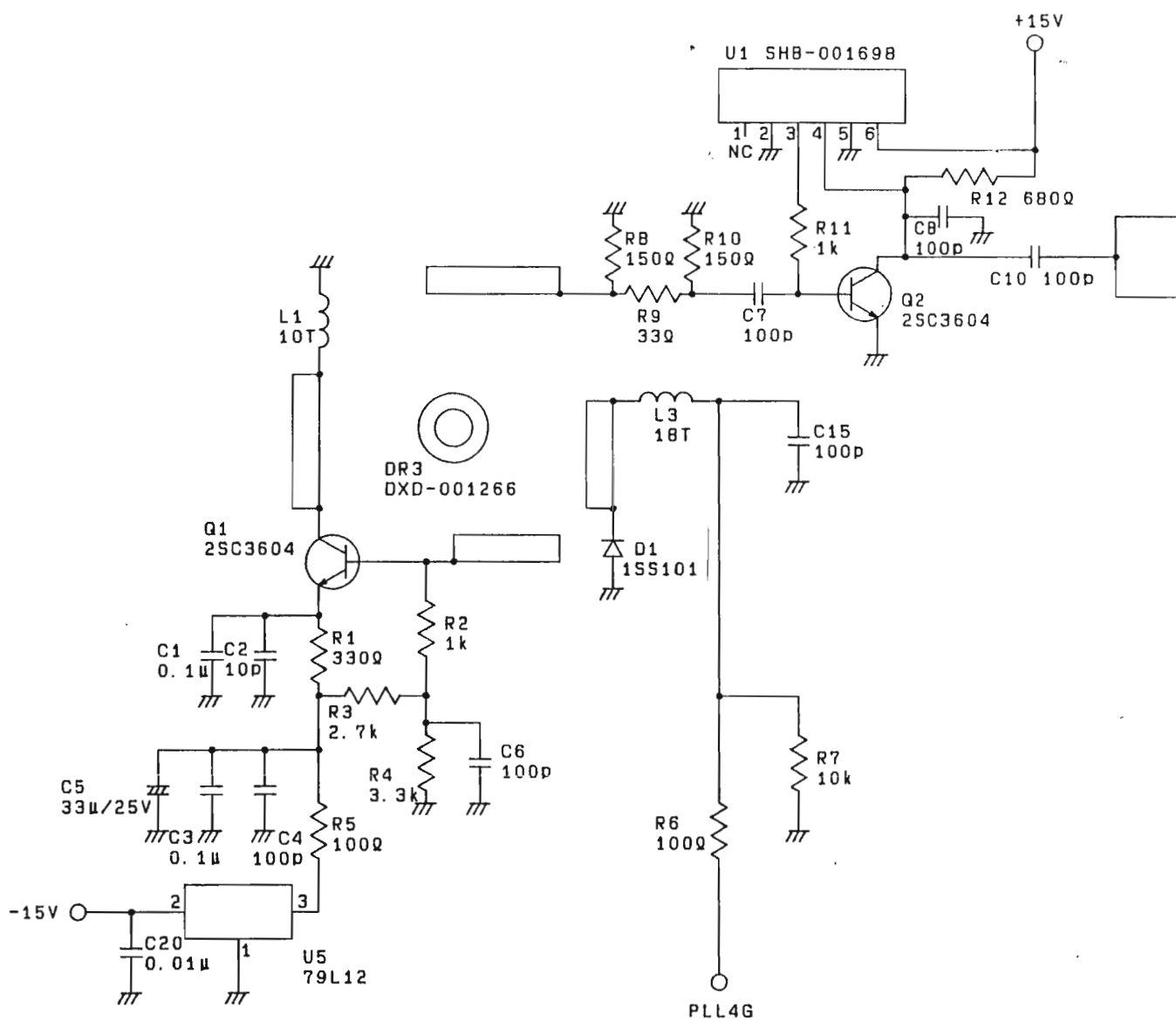
Parts No.	Advantest Stock No.	Description				Note	
C1	CCP-TCR1U50V	FXD	CHIP	1 μ F	+80%, -20%	50V	
C2	CCP-AT10PR1K	FXD	CHIP	10PF	\pm 1PF	100V	
C3	CCP-TCR1U50V	FXD	CHIP	0.1 μ F	+80%, -20%	50V	
C4	CCP-BA100P50V	FXD	CHIP	100PF	\pm 10%	50V	
C5	CCK-BX33U25V	FXD	ELECT	33 μ F	\pm 20%	25V	
C6	CCP-ADR47U50V	FXD	CHIP	0.47 μ F	+80%, -20%	50V	
C7	CCP-BA100P50V	FXD	CHIP	100PF	\pm 10%	50V	
C8	CCP-BA100P50V	FXD	CHIP	100PF	\pm 10%	50V	
C9	CCP-BAR01U50V	FXD	CHIP	0.01 μ F	\pm 10%	50V	
C10	CCP-BA100P50V	FXD	CHIP	100PF	\pm 10%	50V	
C11	CCP-BA10P50V	FXD	CHIP	10PF	\pm 0.5PF	50V	
C12	CCP-BA10P50V	FXD	CHIP	10PF	\pm 0.5PF	50V	
C13	CCP-BA100P50V	FXD	CHIP	100PF	\pm 10%	50V	
C14	CCP-BA10P50V	FXD	CHIP	10PF	\pm 0.5PF	50V	
C15	CCP-BA100P50V	FXD	CHIP	100PF	\pm 10%	50V	
C16	CCP-BA100P50V	FXD	CHIP	100PF	\pm 10%	50V	
C17	CCP-BAR01U50V	FXD	CHIP	0.01 μ F	\pm 10%	50V	
C18	CCP-BA1000P50V	FXD	CHIP	1000PF	\pm 10%	50V	
C19	CCP-BAR01U50V	FXD	CHIP	0.01 μ F	\pm 10%	50V	
C20	CCP-BAR01U50V	FXD	CHIP	0.01 μ F	\pm 10%	50V	
C21	CTM-BM10P	VAR		10PF	+50%, -0%	100V	
C22	CCP-BA5P50V	FXD	CHIP	5PF	\pm 0.5PF	50V	
C23	CCP-BA5P50V	FXD	CHIP	5PF	\pm 0.5PF	50V	
C30	CCP-BA15P50V	FXD	CHIP	15PF	\pm 5%	50V	
C31	CCP-BA1000P50V	FXD	CHIP	1000PF	\pm 10%	50V	
C32	CCP-BAR01U50V	FXD	CHIP	0.01 μ F	\pm 10%	50V	
C34	CCP-BA1000P50V	FXD	CHIP	1000PF	\pm 10%	50V	
C35	CCP-BAR01U50V	FXD	CHIP	0.01 μ F	\pm 10%	50V	
C37	CCP-BA1000P50V	FXD	CHIP	1000PF	\pm 10%	50V	
C38	CCP-BA2P50V	FXD	CHIP	2PF	\pm 0.25PF	50V	
C39	CCP-BA1000P50V	FXD	CHIP	1000PF	\pm 10%	50V	
C41	CCP-BAR01U50V	FXD	CHIP	0.01 μ F	\pm 10%	50V	
C42	CCP-BA2P50V	FXD	CHIP	2PF	\pm 0.25PF	50V	
C43	CCP-BAR01U50V	FXD	CHIP	0.01 μ F	\pm 10%	50V	
C44	CCP-BA1000P50V	FXD	CHIP	1000PF	\pm 10%	50V	
D1	SDS-1SS101	SCHOTTKY BARRIER SI DIODE				UHF MIXER	
D2	SDZ-W120	ZENER DIODE					
D5	SDS-ND587T	MIXER DIODE					
DR1	DXD-001691-1	DR	4GHz				
DR3	DXD-001266	DR	3.72GHz				

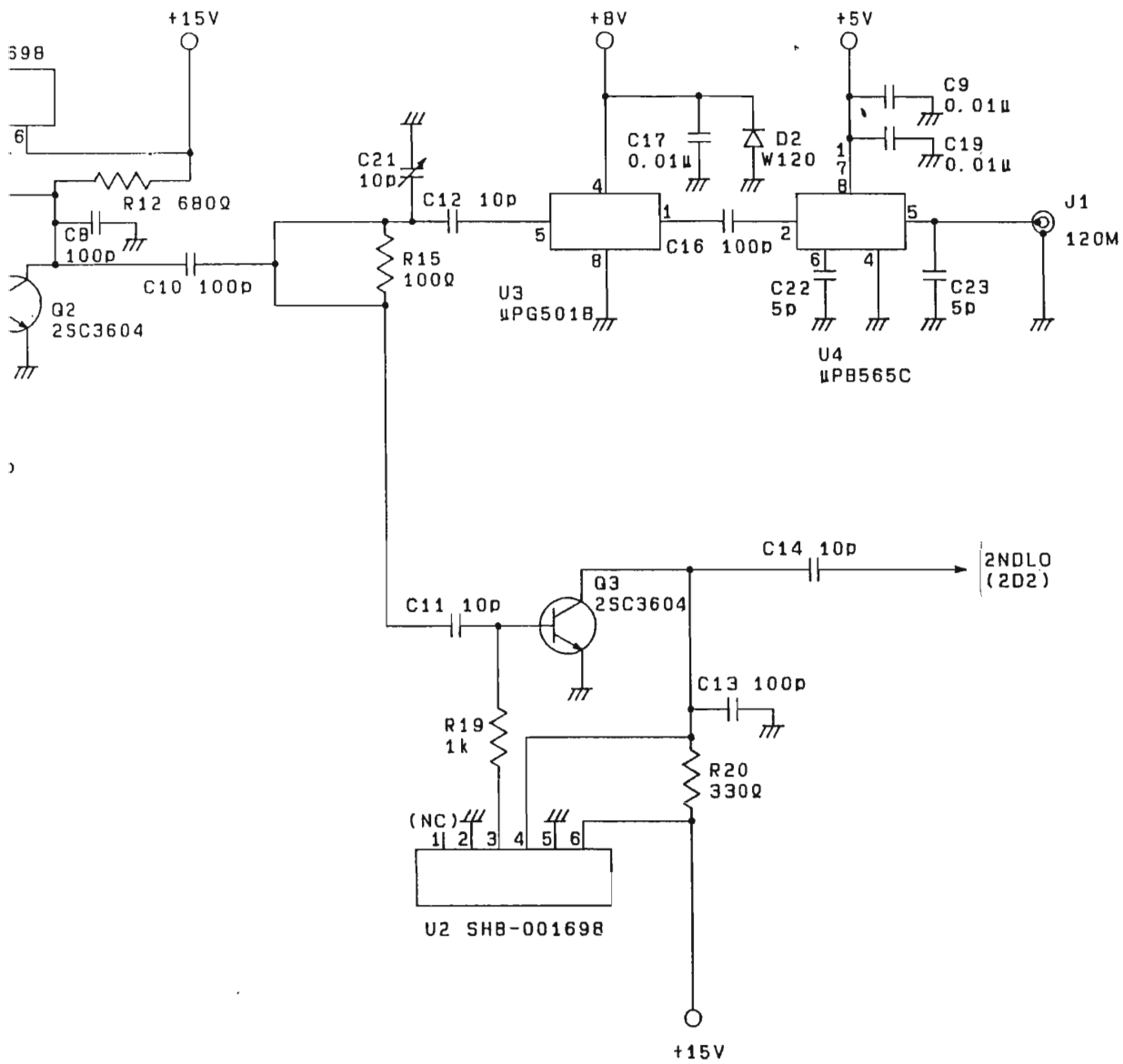
**R3261/3361
2ND CONV
BTD-015644 (2/3)**

Parts No.	Advantest Stock No.	Description	Note
FL1	DFN-001089	B.P.F 226.4MHz	
J1	JCF-BA001JX01	CONNECTOR	
L1	LCL-A00671	COIL (CUSTOM DEVICE)	
L3	LCL-A00785	COIL (CUSTOM DEVICE)	
L10	LCL-A00671	COIL (CUSTOM DEVICE)	
L11	LCL-E00934	COIL CHIP 33nH ±20%	
L12	LCL-E00939	COIL CHIP 82nH ±20%	
L13	LCL-E00388	COIL (CUSTOM DEVICE)	
L14	LCL-A00063	COIL (CUSTOM DEVICE)	
Q1	STN-2SC3604	TRANSISTOR NPN	
Q2	STN-2SC3604	TRANSISTOR NPN	
Q3	STN-2SC3604	TRANSISTOR NPN	
Q10	STN-2SC3356	TRANSISTOR NPN	
R1	RCP-AN330	FXD CHIP 330Ω ±0.5% 1/10W	
R2	RCP-AN1K	FXD CHIP 1kΩ ±0.5% 1/10W	
R3	RCB-AG2R7K	FXD CAR 2.7kΩ ±5% 1/8W	
R4	RCP-AN3R3K	FXD CHIP 3.3kΩ ±0.5% 1/10W	
R5	RCP-AN100	FXD CHIP 100Ω ±0.5% 1/10W	
R6	RCP-AJ100	FXD CHIP 100Ω ±5% 1/10W	
R7	RCP-AJ10K	FXD CHIP 10kΩ ±5% 1/10W	
R8	RCP-AJ150	FXD CHIP 150Ω ±5% 1/10W	
R9	RCP-AJ33	FXD CHIP 33Ω ±5% 1/10W	
R10	RCP-AJ150	FXD CHIP 150Ω ±5% 1/10W	
R11	RCP-AJ1K	FXD CHIP 1kΩ ±5% 1/10W	
R12	RCP-AH680	FXD CHIP 680Ω ±5% 1/8W	
R15	RCP-AJ100	FXD CHIP 100Ω ±5% 1/10W	
R19	RCP-AJ1K	FXD CHIP 1kΩ ±5% 1/10W	
R20	RCP-AH330	FXD CHIP 330Ω ±5% 1/8W	
R30	RCP-AJ10K	FXD CHIP 10kΩ ±5% 1/10W	
R31	RCP-AJ8R2	FXD CHIP 8.2Ω ±10% 1/10W	
R32	RCP-AJ3R3K	FXD CHIP 3.3kΩ ±5% 1/10W	
R33	RCP-AH180	FXD CHIP 180Ω ±5% 1/8W	
R35	RCP-AJ100	FXD CHIP 100Ω ±5% 1/10W	
R36	RCP-AJ390	FXD CHIP 390Ω ±5% 1/10W	
R37	RCP-AJ4R7K	FXD CHIP 4.7kΩ ±5% 1/10W	
R39	RCP-AJ220	FXD CHIP 220Ω ±5% 1/10W	
R40	RCP-AJ68	FXD CHIP 68Ω ±5% 1/10W	
R41	RCP-AJ470	FXD CHIP 470Ω ±5% 1/10W	
R42	RCP-AJ68	FXD CHIP 68Ω ±5% 1/10W	
R45	RCP-AJ10	FXD CHIP 10Ω ±5% 1/10W	

R3261/3361
 2ND CONV
 BTD-015644 (3/3)

Parts No.	Avantest Stock No.	Description	Note
U1	SHB-001698-1	CUSTOM DEVICE	
U2	SHB-001698-1	CUSTOM DEVICE	
U3	SIC-UPG501B	5GHz 1/4 PRESCALER	
U4	SIC-565	1GHz PRESCALER	
U5	SIA-79L12	Voltage Regulator 12V	
U10	SIA-1676	Bipolar Analog IC 1GHz Amp	
U11	SIA-1676	Bipolar Analog IC 1GHz Amp	





R3261/3361 2ND CONV
BTD-015644 1/2

